

**New Zealand Kennel Club (Inc)**  
(Affiliated with The Kennel Club, England)  
(Associated with the Federation Cynologique Internationale)

# SHOW



# REGULATIONS

(Reprinted with Additions and Amendments effective 1 January 2024,  
Version 2)



New Zealand Kennel Club  
Private Bag 50903  
Porirua 5240

Copyright - New Zealand Kennel Club (Inc.)



# CONTENTS

New Zealand Kennel Club (Inc).....	1
CONTENTS.....	2
1. DEFINITIONS.....	4
2. SHOW APPROVALS.....	5
3. CANCELLATION OF SHOWS.....	9
4. JUDGES AND JUDGING APPOINTMENTS.....	9
5. SCHEDULES.....	13
6. DEFINITIONS OF BREED CLASSES PERMITTED AT ALL BREED, GROUP, MULTI-BREED AND SPECIALIST CLUB CHAMPIONSHIP AND OPEN SHOWS.....	13
7. DEFINITIONS OF STAKES CLASSES PERMITTED AT ALL BREED, GROUP, MULTI-BREED AND SPECIALIST CLUB CHAMPIONSHIP AND OPEN SHOWS.....	15
8. JUNIOR DOG HANDLER CLASS.....	17
9. SCHEDULE OF PRIZES.....	17
10. SHOW ENTRY.....	18
11. FCI/CACIB SHOWS.....	20
13. JUDGING TIMETABLES.....	26
14. JUDGING ORDER.....	26
15. RING EQUIPMENT.....	27
16. SHOW CATALOGUES.....	28
17. RECORDS TO BE RETAINED.....	28
18. PREPARATION OF DOGS FOR EXHIBITION.....	29
19. DRESS OF EXHIBITORS.....	29
20. EXHIBITION OF DOGS.....	29
21. JUDGES AWARD RECORD CARD.....	37
22. JUDGES DECISION.....	37
23. CHALLENGE POINTS (Championship Shows only).....	38
24. VETERINARY SURGEON FOR SHOWS.....	39
25. OBJECTIONS.....	40
26. REPORTING OF FRAUDULENT OR DISCREDITABLE CONDUCT.....	41
27. OPEN SHOWS.....	41
28. RIBBON PARADES.....	41
28A SUPPORTED SHOWS.....	42
28B SUPPORTED ENTRY.....	43
29. REGULATION FOR THE CONDUCT OF MATCH COMPETITION AND OTHER SPECIAL EVENTS.....	43
30. REGULATIONS FOR THE GUIDANCE OF WORKING GUNDOG CLUBS.....	43
31. RACING WHIPPETS.....	45
32. SIGHTHOUND COURSING.....	45
33. CATS.....	45
Appendix 1.....	46

<b>RAMP BREEDS</b> .....	<b>46</b>
<b>Appendix 2</b> .....	<b>47</b>

## 1. DEFINITIONS

- 1.1 **“Show” and “Fixture”** includes Championship Show, Open Show, Ribbon Parade, Field Trial, Water Trial, Championship Obedience Test, Obedience Open Trial, Obedience Ribbon Trial, Companion Dog Trial, Utility Dog Trial, Working Dog Trial, Tracking Dog Trial, Championship Agility Events, Open Agility Events Agility Ribbon Trials, Field Trial and Water Trial Training Classes, Qualifying Scent Work Trials, and Scent Work Ribbon Trials.
- 1.2 **“Recognised Show”** is
- 1.2.1 Any “Show” and “Fixture” as defined in Regulation 1.1 hereof held in New Zealand under New Zealand Kennel Club Rules or otherwise under the sanction of the Executive Council of the New Zealand Kennel Club or delegated authority.
- 1.2.2 Any show held abroad under sanction of an authority recognised by the New Zealand Kennel Club.
- 1.2.3 Any Match Competition as defined in Regulation 1.10 hereof.
- 1.3 **“Unrecognised Show”** is any show not coming within the definition of “Recognised Show”.
- 1.4 **“All Breeds Championship Show”** is a show for all recognised breeds at which Challenge Certificates are offered for competition for all breeds.
- 1.5 **“Group Championship Show”** is a show held by an associated group club at which Challenge Certificates are offered for competition for all breeds in that group or those groups.
- 1.6 **“Multi-breed Championship Show”** is a show held by an associated multi-breed club at which Challenge Certificates are offered for competition for those breeds catered for by that club.
- 1.7 **“Specialist Breed Championship Show”**, is a show held by a specialist breed club catering for one breed (including a club catering for the two Welsh Corgi Breeds) at which Challenge Certificates are offered for competition for that breed.
- 1.8 **“Open Show”** is a show held by any club Affiliated or Associated under New Zealand Kennel Club Rules 7, 8, or 9 held in a similar format to a Championship Show but at which no Challenge Certificates are offered for competition.
- 1.9 **“Parade”** A Parade is an exhibition of dogs as may be sanctioned.
- 1.10 **“Match Competition”** A match is a competition between Societies and/or New Zealand Kennel Club members competing subject to Regulation 28 hereof
- 1.11 **“Field Trials and Water Trials”**. Field Trials and Water Trials are fixtures at which Gundogs may compete in accordance with and as defined in Show Regulations or otherwise as may be sanctioned.
- 1.12 **“Benched Show”** is any Recognised Show to which the public is admitted, a charge is made either directly or indirectly for such admission, benching is provided; and the Society conducting the show has determined and advertised it as a benched show. At such a show all dogs must be benched for the period specified and failure of an exhibitor to do so renders him and his exhibit subject to disqualification.
- 1.13 **“Exhibitor”** means the person(s) in whose name the relative exhibit is entered for exhibition, and this means the owner(s) in the records of the New Zealand Kennel Club at that point in time, but also where the context reasonably permits shall be deemed to include the person by whom the dog is displayed or handled and the person in whose charge the exhibit is whilst at the show and in the Judging Ring. Nothing in these Regulations shall permit a bitch which is loaned for breeding purposes to be exhibited in the name of the lessee. (subject to subclause 1.13 hereof).
- 1.14 **“Handler”** An Obedience Tests, Obedience Working Trials, Agility Events and Agility Dog Classes shall mean the person who takes the dog into the ring or working area for all or part of the test, event or trial as the case may be, and for all other purposes should include any person who is physically in control of the dog.
- 1.15 **“Exhibit”** used as a verb includes the verbs “show”, “handle” and vice versa and to exhibit or to show or to handle includes to compete.

- 1.16 **“Society”** means any Club, Society or Association of breeders or owners of dogs admitted to the New Zealand Kennel Club by the delegates at an Annual General Meeting or Special General Meeting of the New Zealand Kennel Club, or by the Executive Council, as an affiliated, associated or recognised society or body.
- 1.17 **“Owned” and “co-owned”** for the purposes of these Regulations shall have the same meaning.
- 1.18 **“Monorchid”** is a male dog with one apparently normal testicle fully descended into the scrotum, **“Cryptorchid”** is a male dog without either testicle fully descended into the scrotum, **“Entire”** is a male dog with two apparently normal testicles fully descended into the scrotum.
- 1.19 **“Class”** means any number of dogs and/or bitches scheduled or eligible to compete in the ring at the same time.
- 1.20 **“Award”** means the result of the judge’s decision, and includes First, Second, Third and other placings, Bests of Breed, Bests of Group and Bests in Show.
- 1.21 **“Prize”** means any card, certificate, ribbon, trophy, cash or other item presented to the winner of any award.
- 1.22 **“Owner”** - Is the person in whose name the dog is registered with the New Zealand Kennel Club. It may also mean the agent where applicable.
- 1.23 **“Agent”** - Shall mean any person having temporary legal possession of any dog.
- 1.24 **“Entry Form”**. **This may be either by online entry, standard official entry form, or a photocopy of the** official NZKC replicable form; photocopies of the standard form are not permitted.
- 1.25 Contracted panel of judges” – **is the group of judges contracted to officiate at a show/s or an event by** the same organising committee.
- 1.26 **“Menacing Disposition”** – is defined as threatening, intimidating or aggressive behaviour.
- 1.27 **“Aggression”** – is defined as hostile or violent behavior and a readiness to attack.
- 1.28 **“Attack”** – is defined as hostile or violent behavior to include physical contact and/or biting.
- 1.29 **“Neutered”** is a neutered dog or spayed bitch.

## 2. SHOW APPROVALS

The Executive Council shall have power to grant, withhold, or cancel, permission for the holding of any Recognised Show subject to:

### 2.1 APPLICATION FOR APPROVAL OF SHOW DATES AND LICENCES TO HOLD SHOWS

No Society shall conduct a Championship Show, Obedience Championship Test, Open Show, Obedience Open Trial or Agility Event without prior granting of a licence to hold the show and the allocation of a Show Date in accordance with the following

#### 2.1.1 Licence to hold a show

2.1.1.1 All Breeds Societies affiliated under Rule 7, will be allocated licences to hold Championship Shows without application.

2.1.1.2 Associated Clubs Championship Show.

2.1.1.2.1 The granting of a Licence to hold a Championship Show for all societies associated pursuant to New Zealand Kennel Club Rules 8 and 9 is in every case subject to New Zealand Kennel Club approval.

2.1.1.2.2 Associated clubs which meet the conditions shall upon application be granted licences for Championship Shows.

2.1.1.2.3 Only Associated All Breeds clubs will be granted Provisional Championship Show Licences five year in advance without application. Application must be made by all other associated societies for all Licences to hold Championship

- Shows.
- 2.1.1.2.4** Time for and Method of application:  
Application for a Championship Show Licence can be made at any time more than three months and up to two years in advance of the date of the show.  
Application is to be made on the form issued by the New Zealand Kennel Club.
- 2.1.1.2.5** Specialist Breed National Show Licences shall only be granted two calendar years in advance of date of the show.
- 2.1.1.2.6** Unless otherwise provided Championship Show Licences shall only be granted two calendar years in advance of date of the show.
- 2.1.1.2.7** A date of a Championship Show Licences shall be allocated upon application and can be altered by application in writing at any time subject to the consent in writing of any club affected by such alteration.
- 2.1.1.2.8** All Breed, Group, the Asian Breeds Club, the Spitz Breeds Club, the United Bull Breed Association, Specialist Breed and Multi Breed clubs can be granted up to two Championship Show Licences in any one calendar year. Any of these clubs must establish special circumstances before they can be granted more than two Championship Show Licences.
- 2.1.1.2.9** Every licence application shall be considered on its merits and shall be approved if it is demonstrated to the New Zealand Kennel Club that
- the club has conducted its fixtures in a proper manner and in accordance with New Zealand Kennel Club Rules and Regulations, and;
  - shows conducted by the club have the support of sufficient exhibitors bearing in mind the nature of the shows, the location of the shows, number of Challenge Certificates on offer, the strength of the breed, breeds or group involved, and;
  - the granting of a licence is warranted, and;
  - in the cases where regulations require, special circumstances exist that justify the granting of a licence.
- 2.1.1.2.10** A licence once granted can be revoked by the Executive Council at any time if the Executive Council is satisfied that since the granting of the licence the club is no longer meeting all or any of the criteria set out in regulation 2.1.1.2.9
- 2.1.1.3** Application for a licence to hold an Open Show may be made by applying in writing at any time up to three months before the date of the Show.
- 2.1.1.4** The Executive Council shall have power to withhold Challenge Certificates from any Society committing a breach of Show Regulations and/or to impose such other penalty by way of fine as they deem desirable.
- 2.1.2** Granting of Show Dates
- 2.1.2.1** The New Zealand Kennel Club shall set a five year calendar for All Breeds Societies which shall be circulated to all Affiliated and Associated Clubs annually. Unless otherwise requested All Breed Clubs will be allocated the equivalent date in each successive year. Approval will not be granted for two all Breed Championship Shows on the same day, in the same Island (North Is. Or South Is.) unless the written consent of both clubs is approved.
- 2.1.2.2** Associated clubs shall nominate their preferred show date(s) on their application for a licence to hold any show
- 2.1.2.3** In allocating Championship Show Dates the following criteria shall be

observed: First - Dates of Shows in previous years.

Next - Dates requested.

Next - Conflict with the conduct of a show of another club within a reasonable geographic area.

**2.1.2.4** The following priorities shall be observed:

First – All Breeds.

Next - Group Clubs.

Next - Multi-Breed Clubs.

Next - Specialist Breed Clubs.

**2.1.2.5** Sharing the same date by more than one club that otherwise conflicts will be permitted

provided the consent in writing of any club ranking higher in priority in subclause 4 hereof is obtained and provided further that such consent shall not be unreasonably or arbitrarily withheld. Alteration of Show Date already approved.

**2.1.2.5.1** Any Society may apply for the alteration of Championship Show Dates previously allocated as follows:

**2.1.2.5.2** The prior consent in writing is obtained of all Societies approved to conduct a show involving all or any of the same within a radius of 325 kilometers on the date(s) being vacated and the date(s) being applied for in the same island.

**2.1.2.5.3** All Breeds Societies must publish their intention to alter previously granted Championship Show dates in the Club Notices section of the New Zealand Kennel Gazette and approval will be granted by the Director/Secretary only if no valid objections are received by the tenth day of the month following the month of publication of such notice. E.C suspended Show Regulation 2.1.3.3 until 31 March 2023.

### **2.1.3** Obedience and Agility Fixtures

Obedience and/or Agility Clubs associated under Rule 8 will be allocated Show Dates and granted licences to hold Championship Tests or Events in their pre-approved codes without application. Application for Obedience Open Trials and Open Agility Events can be made at any time up to three months before the date of the Trial or Event. All obedience also require the consent of the Regional Obedience representative in which the club is situated. All Agility fixtures require the consent of the Dogs NZ Agility Committee

## **2.2 APPROVAL OF FORMAT OF SHOW**

In addition to Clause 2.2.1 hereof the approval of the format of any Show must be obtained as follows:

**2.2.1** For Championship Shows and Championship Obedience Tests - By completing the Official Schedule Performa form published or approved by the New Zealand Kennel Club and forwarding it to the New Zealand Kennel Club on or before the closing date for publication of the schedule in the New Zealand Kennel Gazette.

**2.2.2** For Open Shows Obedience Open Trials and Open Agility Events - By completing the Official Schedule Proforma form published by the New Zealand Kennel Club and forwarding it to the New Zealand Kennel Club not less than one month before the date of the fixture.

**2.2.3** For Obedience Working Trials - By application to the New Zealand Kennel Club Obedience Committee pursuant to Obedience Regulations.

**2.2.4** For Ribbon Parades Obedience Ribbon Trials and Agility Ribbon Trials - By notification to New Zealand Kennel Club in accordance with Regulation 27 hereof and Obedience Regulations.

**2.2.5** Subject to the provisions of New Zealand Kennel Club Obedience Regulations relating to Obedience Training Classes and Agility Events no permission is required to conduct any other Recognised Shows.

## **2.3 CLUBS SHARING**

Clubs sharing Show Dates shall schedule their shows in a reasonable manner and so as not to

conflict with the judging of other shows sharing the same date.

#### **2.4 CONFLICTING DATES**

Open Shows, Obedience Open Trials, Ribbon Parades, Obedience Ribbon Trials and Agility Ribbon Trials shall not be scheduled to conflict with the judging of any Championship Show or Test or Agility Event being conducted within a reasonable distance.

#### **2.5 SPECIALIST AND MULTI BREED NATIONAL SHOWS**

The Executive Council in its absolute discretion may grant permission for a Specialist or Multi Breed National Show to be hosted by an Associated Specialist Breed Club pursuant to New Zealand Kennel Club Rule 9 or Multi Breed Club pursuant to New Zealand Kennel Club Rule 8 upon application by the society upon the following conditions:-

- 2.5.1 A majority of the Specialist Breed Clubs or Multi Breed Clubs in that breed/s agree in writing to the holding of the show at the time of application.
- 2.5.2 A National Specialist Breed or National Multi Breed Championship Show will only be permitted in any breed/s every two years or more. A National Specialist or Multi breed championship show may be held in any month of each eligible year.
- 2.5.3 Any application must include the date and venue and be received at least one year prior to the date on which the show is proposed to be held.
- 2.5.4 No show conducted by any affiliated, associated, or recognised club pursuant to Rules 7, 8, 9, or 10 will be permitted to be called a "National" or "Classic" show without the prior approval of the New Zealand Kennel Club.
- 2.5.5 The Executive Council shall be empowered to impose such conditions in its absolute discretion as it shall think fit.

#### **2.6 NATIONAL AND CLASSIC DOG SHOWS**

The Executive Council may promote the holding of Championship Shows



### **3. CANCELLATION OF SHOWS**

No Society may cancel a Recognised Show previously approved without the approval of the Director/Secretary.

### **4. JUDGES AND JUDGING APPOINTMENTS**

#### **4.1 Judges Panels**

- 4.1.1(a) A Register of the names of persons domiciled in New Zealand and authorized to judge at Championship, Open Shows, Ribbon Parades and Junior Showmanship shall be kept by the Director/Secretary and this Register shall be known as the Official Show Judges Panel.
- 4.1.1(b) All persons listed on the Official Show Judges Panel shall be a current member of the New Zealand Dog Judges Association Inc.
- 4.1.1(c) All Championship All Breed shows shall contain at least one New Zealand domiciled judge actively judging at least one group at the show.
- 4.1.1(d) Exemption may be granted on application to Executive Council.

#### **4.1.2 Appointments and Promotions**

##### **4.1.2 (a) Official Show Judges Panel**

Appointments and promotions to and on the Official Show Judges Panel shall be made at any date set by the Executive Council upon recommendation of such appointments and promotions by the New Zealand Dog Judges Association Inc. Such appointments and promotions will take immediate effect. No judge can enter into any contract to judge or be listed as a judge in any schedule for a show published prior to the date of the appointment to any new panel.

##### **4.1.2 (b) Aspiring Judges List**

A member can be appointed to the Aspiring Judges List at any date set by the Executive Council upon recommendation of such appointment by the New Zealand Dog Judges Association Inc. Such appointments shall take immediate effect.

#### **4.1.3 Eligibility**

**4.1.3 (a)** Only members of the New Zealand Kennel Club permanently resident in New Zealand are eligible for appointment to the New Zealand Kennel Club Official Show Judges Panel, Junior Showmanship Panel or the Aspiring Judges List.

**4.1.3 (b)** No persons permanently resident in New Zealand shall be permitted to judge at any recognised show in New Zealand unless they are listed on the New Zealand Kennel Club Official Show Judges Panel appropriate for that show.

**4.1.3 (c)** No members of the New Zealand Kennel Club shall be permitted to judge overseas unless they are listed on the appropriate Championship Show Panel for the breed, group or general specials which they are to judge. Any judges listed on a group panel must have first judged that group once in New Zealand before they can judge overseas.

**4.1.4** The New Zealand Kennel Club Official Show Judges Panel shall comprise of:-

- (a) Ribbon Parade Panel
- (b) Open Show Panel
- (c) Specialist Breed Championship Show Panel
- (d) Group Championship Show Panels
- (e) All Breeds Panel
- (f) General Specials Panel
- (g) Junior Showmanship Panel

In addition the New Zealand Kennel Club shall keep an Aspiring Judges List that shall be published with but not be part of the Official Show Judges Panel.

**4.1.5** Obedience, Working Trials and Agility Judges: Obedience Regulations set out the terms and conditions of the New Zealand Kennel Club Obedience and Working Trials Judges Panels. Agility Judges: Agility Regulations set out the terms and conditions of the New Zealand Kennel Club Agility Judges Panel

- 4.1.6 Gundog Trials Judges:**  
The rules of the New Zealand Gundog Association set out the terms and conditions for the New Zealand Gundog Trials Association Judges Panel.
- 4.2** New Zealand Judges may not be appointed to judge at any show unless they are listed on the appropriate Show Judges Panel for that show.
- 4.3** New Zealand Judges are approved to judge in New Zealand as follows:-
- 4.3.1** Save in exceptional circumstances only an All Breeds Judge or a judge listed on seven Championship Panels will judge Best In Show at an All Breeds Championship Show.
  - 4.3.2** To judge at any Championship show the Judge must be listed on the appropriate Championship Show Panel for the Group or breeds to be judged by the Judge.
  - 4.3.3** To judge Best of Group at an All Breeds or Group Club Championship Show the Judge must be listed on the appropriate Group Panel and have fulfilled all examination requirements including any open book examinations for new recognised breeds as set by NZ Dog Judges Association.
  - 4.3.4** To judge Best in Show at a Multi-breed or Multi-group Club Championship Show the judge must be listed on the appropriate Group Panel or Specialist Breed Panel for all the breeds to be judged at the show.
  - 4.3.5** To judge at any Open Show including Best in Show the Judge must be listed on the Open Show Panel or any Group Championship Show Panel or Panels.
  - 4.3.6** To judge all breeds at any Ribbon Parade including Best on Parade, the Judge must be listed on the, Open Show Panel or any Group Championship Show Panel or Panels except in the case where Judges Regulation Section VII (2)(b)(ii) applies.
  - 4.3.7** All Breed Judges including overseas All Breeds judges are not permitted to judge at Open Shows and Ribbon Parades in New Zealand.
  - 4.3.8** Only Judges who can judge 6 groups or more can judge All Breeds Club Championship Best in Show.
- 4.4** At all recognised shows each class shall be judged by one Judge only.
- 4.5** All New Zealand Judges shall be approved to judge if they are listed on the appropriate New Zealand Kennel Club Show Judges Panel by naming them in the Official Schedule submitted for approval in accordance with these regulations. If they are not so listed the prior approval of the Executive Council must be obtained.
- 4.5.1 Peer Judges**  
Notwithstanding the provisions of NZDJA Regulation Section II 1, a permanent resident of New Zealand who is a financial member of Dogs NZ is permitted to judge at a Specialist Breed Ribbon Parade, Open Show or Championship Show on the following conditions:
- (a) Payment of an NZDJA Associate Membership fee to be paid prior to publication of the schedule in the Dog World.
  - (b) The Ribbon Parade, Open Show or Championship Show is conducted by a Specialist Breed Club (including clubs listed in NZDJA Regulation Section IV (4) (a).
  - (c) Have owned, exhibited and bred litters in the breed being judged for a period of not less than fifteen years.
  - (d) The committee of the club conducting the Show has approved the member to conduct the judging.
  - (e) In the opinion of the committee of the club conducting the Show the member is qualified, well respected and highly knowledgeable in the breed.
  - (f) The judge is listed in the schedule for the Show as a peer judge.
  - (g) Any club can contract a maximum of one peer judge per Ribbon Parade, open Show and Championship Show in any one calendar year.
  - (h) Any member is restricted to adjudicating as a peer judge in any one breed twice in any three year period.
  - (i) Notwithstanding the provisions of NZDJA Regulation Section III (6) Peer Judges will not be permitted to judge overseas.
  - (j) Obtain the permission of Dogs NZ to judge at the Show and issue challenge certificates in that breed if a Championship Show.
  - (k) Shall comply with all rules and regulations pertaining to judges under NZDJA Regulation Section IX.
- 4.6** All overseas Judges require prior approval of the Executive Council. The procedure for obtaining

approval is as follows:-

- 4.6.1** All Judges resident in Australia shall be approved to judge at Championship and Open Shows in New Zealand if they are listed on the latest Australian National Kennel Council Official Judges Listing as eligible to award Challenges for the breeds to be judged and to judge the Groups or Best in Show (if appropriate) by naming them in the Official Schedule submitted for approval in accordance with these regulations. If they are not so listed then specific approval must be sought by applying in writing at least six months prior to the show. In exceptional cases late applications can be made. Save in exceptional circumstances only an All Breeds Judge or judge listed on seven Championship Panels will judge Best In Show at an All Breeds Championship Show.
- 4.6.1.1** For the purpose of the regulations referring to approval of judges the term “exceptional circumstances” shall mean, but not be limited to: Where a judge is unable to continue judging due to illness or injury, having to leave the event part way through judging due to circumstances beyond their control, being unable to arrive at the show due to failed travel arrangements or a breach of Show Regulations being realised either before judging starts or during the course of judging. Any other applications for exemptions must be made to the Director Secretary.
- 4.6.2** For all other Judges, application must be made in writing prior to the forwarding of a contract. In exceptional circumstances (e.g. late cancelation of a contract) late applications may be made.
- 4.6.2 (a)** Pursuant to Rule 15 (e) of the rules of the New Zealand Kennel Club no person domiciled overseas may judge at any Show held under the Rules and Regulations of the New Zealand Kennel Club without the prior consent of the Executive Council.
- 4.6.2 (b)** Such consent may be given generally under Agreements in force with overseas Clubs pursuant to Rule 23 (h) of the Rules of the New Zealand Kennel Club but in all other cases by direct application to the Executive Council.
- 4.6.3** No examination or test conducted on behalf of any canine control other than the New Zealand Kennel Club are permitted to be conducted at any recognised show.
- 4.7** No Judge may be timetabled to judge more than 250 dogs per day at any champion show or 150 dogs per day at any open show or ribbon parade. This limitation will also apply to dogs entered in Stakes and Classes under the same judge where the judge has not already judged the dog in a previous class. Save for the National Dog Show, under no circumstances, will approval be given by the New Zealand Kennel Club for any Judge to be timetabled to judge more than 250 dogs per day. Any dogs entered at a show or shows in excess of this figure for any one Judge must be allotted to another Judge, the appointment of any such additional Judge to the show to be approved by the New Zealand Kennel Club prior to the date of the show. This regulation does not apply to Agility Fixtures
- 4.8** At any Championship or Open Show a Judge may only accept additional appointments for the same breeds or groups already accepted in the same Island and within a radius of 325 kilometers during the period of three calendar months either side of the date of a Championship or Open Show already accepted if prior to acceptance he obtains the consent of both Societies concerned to the acceptance of such additional appointment.
- 4.9** The New Zealand Kennel Club Judging Contract form (or other pre-approved online equivalent) must be used by all clubs for invitations to judge at Championship Shows, Open Shows, Ribbon Parades, Obedience Tests, Obedience Open Trials, Obedience Ribbon Trials, Champion Agility Events, Open Agility Events and Agility Ribbon Trials in New Zealand. Contracts for overseas Judges to judge in New Zealand should be made directly with the Judge concerned by correspondence and are subject to the Judge being approved to judge in New Zealand.
- 4.10** In the event of unforeseen circumstances which prevents the selected Judge from officiating, the Show Committee may select another Judge or Judges, who have been approved by the New Zealand Kennel Club and where possible exhibitors shall be advised of the change.
- 4.11** Judges fees and expenses - Every New Zealand Judge judging at a Championship Show (excluding Championship Obedience Tests) in New Zealand may be paid a judging fee. Any overseas judge judging in New Zealand may be paid a judging fee if it is included in their judging contract. In addition every Judge shall be entitled to claim on his/her contract travelling expenses, and if required, first class hotel/motel accommodation, meals, and in addition, where such Judge has lost wages as a result of time spent in travelling to or from a show and at the show, then the club concerned may make up to the Judge such loss of wages. Details of such expenses must be included by the Judge

on the New Zealand Kennel Club Contract form.

**4.12** Judges travel.

**4.12.1** Show Judges may not travel with exhibitors in private conveyances to the show at which they are judging. Any dog which travels in the same private conveyance as a Show Judge to a show may not be exhibited at that show.

**4.12.2** Obedience and Agility Judges are exempt from this Regulation provided they are only judging Obedience Tests and/or Agility Events at the show. In the event of an Obedience or Agility Judge also judging a portion of the show (e.g. a group or number of breeds) then such Obedience or Agility Judges must comply with this Regulation and should not travel with exhibitors in private conveyances to the particular show at which they are judging both show dogs and Obedience Tests / Agility Events.

**4.13** When judging a neutered dog in classes for which they are eligible the provision in every standard stating Note: Male dogs should have two apparently normal testicles fully descended into the scrotum shall not apply.

**4.14** If a judge has judged with a panel of judges at one or more Championship Shows, or at an event where the judge is contracted by the same organising committee, whether in New Zealand or overseas, they must not handle any dog or bitch under any of those judges for a period of 28 days after any such event. (Junior Showmanship and Young Kennel Club heats and finals, Ribbon Parades and Open Shows excluded).

**4.15** Judges, as experienced members of the Dog World, shall at all times act with courtesy, professional integrity and complete impartiality and, by their actions, act as an example to other New Zealand Kennel Club Members. Judges shall demonstrate a sound knowledge of anatomy, New Zealand Kennel Club Rules and Regulations and all relevant breed standards.

## 5. SCHEDULES

### 5.1 Draft Copies.

Before any club may publish or distribute a Schedule for any Championship Show, Championship Obedience Test, Open Show, Open Obedience Trial or Agility Event it is required to obtain approval of the format of the show on the pro forma schedule published or approved by the New Zealand Kennel Club in accordance with Regulation 2.2.

### 5.2 Contents.

#### 5.2.1 Every Schedule must contain:

- (i) Name of club.
- (ii) Type of show.
- (iii) Location and date.
- (iv) Judging order of breeds, groups or tests.
- (v) Commencing time of judging. No show may commence judging before 8.30 am unless the actual time of commencement has been printed in the schedule.
- (vi) Breed classes to be judged.
- (vii) Stakes classes to be judged (if any)
- (viii) Closing date of entries.
- (ix) Mailing address for entries.
- (x) Entry fees.
- (xi) Name of club or person to whom cheque is to be made out to.
- (xii) Name of all judges and, for overseas judges, and for overseas judges the country or state on whose panel every judge is listed (or in the case of countries not issuing a panel, the country of origin of the judge).
- (xiii) Details of any charge for car parking.

#### 5.2.2 The following additional information may be included:

- (i) Details of Prize Money and/or trophies.
- (ii) Catalogue details.
- (iii) Catering details.
- (iv) Whether or not a ramp is available for the show

5.3 Prior approval of New Zealand Kennel Club is not necessary for Schedules for Ribbon Parades, Obedience Ribbon Trials or Agility Ribbon Trials.

5.4 Societies shall accept entries for all recognised breeds listed by the New Zealand Kennel Club and catered for by that society.

5.5 Schedules for all Championship Shows, Championship Obedience Tests or Agility Events conducted by All Breed, Group, Multi-Breed or Specialist Breed Clubs must be published in the New Zealand Kennel Gazette.

## 6. DEFINITIONS OF BREED CLASSES PERMITTED AT ALL BREED, GROUP, MULTI-BREED AND SPECIALIST CLUB CHAMPIONSHIP AND OPEN SHOWS.

### 6.1 BREED CLASSES

6.1.1 No dog may be shown under the age of three calendar months.

6.1.2 In estimating the number of prizes won, all wins previous to the midnight preceding the day specified in the Schedule for closing entries shall be counted when entering for any class.

6.1.3 Definitions and class identifying number.

Dog Classes state number only; Bitch Classes state the number followed by 'a'.

Class No. 1: 'Baby Puppy Dog' - No. 1a 'Baby Puppy Bitch' (For dogs or bitches three calendar months and under six months of age, on the first day of the show).

Class No. 2: 'Minor Puppy Dog' - No. 2a 'Minor Puppy Bitch' (For dogs or bitches six and under nine months of age on the first day of the show).

Class No. 3: 'Puppy Dog' - No. 3a 'Puppy Bitch' (For dogs or bitches six and under twelve months of age on the first day of the show).

- Class No. 4: 'Novice Dog' - No. 4a 'Novice Bitch' (For Novice dogs that have not won a first prize except in a Baby Puppy Class under six months of age at any Open or Championship Show, up to the time of closing of general entries at any Recognised Show whatsoever). A Dog or Bitch must be six months of age or over on the first day of the show.
- Class No. 5: 'Junior Dog' - No. 5a 'Junior Bitch' (For dogs or bitches twelve and under twenty four months of age on the first day of the show).
- Class No. 6: 'Intermediate Dog' - No. 6a 'Intermediate Bitch' (For dogs or bitches twenty four months of age and under thirty six months of age on the first day of the show).
- Class No. 7: 'Limit Dog' - No. 7a 'Limit Bitch' (For dogs or bitches which have not won more than four Challenge Certificates up to the time of closing of general entries at any Recognised Championship Show. Overseas Champions cannot compete in Limit Class in New Zealand). A Dog or Bitch must be six months of age or over on the first day of the show.
- Class No. 8: 'New Zealand Bred Dog' - 'New Zealand Bred Bitch' (For dogs or bitches born in New Zealand six months of age and over on the first day of the show).
- Class No. 9: 'Stud Dog' (For dogs which have sired one or more registered litters) - No. 9a 'Brood Bitch' (For bitches which have whelped one or more registered litters).
- Class No. 10: 'Veteran Dog' - No. 10a 'Veteran Bitch' (For dogs or bitches seven years or over on the first day of the show).
- Class No. 11: 'Open Dog' - No 11a 'Open Bitch' (For dogs or bitches six months of age and over on the first day of the show).
- Class No 18 Neuter Dog – 18a Spayed Bitch – For neutered dogs or spayed bitches over six months of age on the first day of the show

The above class identification numbers for breed classes for dogs and bitches must be used on Show Schedules, to identify the breed class.

#### **6.1.4 All Breed and Group Clubs.**

The maximum number of breed classes permitted at Championship Shows and Open Shows conducted by All Breed Clubs and by Group Clubs will be eight breed classes, which must include the following four breed classes:-

- Puppy (Class Nos. 3 and 3a) Junior
- (Class Nos. 5 and 5a) Intermediate
- (Class Nos. 6 and 6a) Open (Class Nos. 11 and 11a)

#### **6.1.5 Multi-Breed and Specialist Clubs**

Multi-Breed and Specialist Clubs may select any of the breed classes listed in paragraph 6.1.3 above for inclusion at their Championship and Open Shows provided that the following four breed classes be included:-

- Puppy (Class Nos. 3 and 3a) Junior
- (Class Nos. 5 and 5a) Intermediate (Class Nos. 6 and 6a) Open (Class Nos. 11 and 11a)

#### **6.1.6 Group and In Show Judging**

At all multi-breed, Group or All Breed shows all breed classes scheduled and held pursuant to sections 6.1.4 and 6.1.5 hereof must be carried through to In Group and In Show judging (if applicable).

#### **6.1.7 All Breed Shows Neuter Class**

At any All Breed club Championship show, neuter classes may be run at the discretion of the club. Classes 18 (18a) when scheduled will be judged after the conclusion of all age-group of breed classes for each breed.

The winner class 18 (18a) may be awarded a Neuter Challenge for each sex and judged subsequently for Best and reserve Neuter of Breed.

The same format shall apply at Group and In Show level.

A Reserve Best Neuter in Group and Reserve Best Neuter in Show may also be awarded at the club's discretion.

Classes 18 and 18a may only be run at All Breeds Championship shows.

## 6.2 RIBBON PARADES

The breed classes defined in 6.1.3 above may also be permitted at Ribbon Parades conducted by All Breed, Group, Multi-Breed and Specialist Clubs. Baby puppies (as defined in Regulation 6.1.3) may also be exhibited in breed classes 4 – 4a and 7 – 7a.

## 7. DEFINITIONS OF STAKES CLASSES PERMITTED AT ALL BREED, GROUP, MULTI-BREED AND SPECIALIST CLUB CHAMPIONSHIP AND OPEN SHOWS.

### 7.1 General.

- 7.1.1 Clubs may only hold the Stakes Classes permitted under these Regulations at any Recognised Show.
- 7.1.2 All dogs can be entered into stake classes without having a breed entry or an exemption granted.
- 7.1.3 Any Stakes Class may be divided by either age, sex or variety but under no circumstances will the winners of each division be permitted to compete for a Best of Stakes.
- 7.1.4 Any Puppy Stakes Class must clearly define the age of the entries.
- 7.1.5 In any stakes classes where three or more dogs are involved in each entry the club running the show may stipulate in the schedule either that each dog requires an individual handler or that more than one dog may be handled by one handler. If it is not stipulated more than one handler may be used.
- 7.1.6 At All Breeds Championship Shows, All Breeds Stakes Classes may be judged by a person listed on one or more of the Championship Show Group Panels.
- 7.1.7 At any show other than an All Breeds Championship Show any persons listed on the All Breeds, Championship Group, or Open Show Judges Panel may judge any Stakes Class.
- 7.1.8 The club when contracting an overseas judge to officiate in a Stakes Class must forward a list of all Stakes Classes to be judged at the time of issuing the invitation.

### 7.2 Standard Stakes Classes.

#### A. Imported

For dogs bred outside New Zealand.

#### B. New Zealand Bred

For dogs bred in New Zealand

#### C. Local

For dogs residing within a radius of 55 kilometers of the show.

#### D. Visitors

For dogs residing outside a radius of 55 kilometers of the show.

#### E. Members

For dogs belonging to current financial members of the club only.

#### F. Field Trial

For dogs which have won prizes, awards of honour, diplomas of merit or certificates of merit in actual competition at a Field Trial held under the rules of the New Zealand Gundog Trial Association, such class to be judged on conformation only.

#### G. Retrieving Trial

Open to any Gundog as listed under these regulations, and may be of a single or double bird retrieve on land as defined by the New Zealand Gundog Trial Association.

#### H. Brace

For two exhibits (either sex or mixed) of one breed or variety belonging to the same exhibitor either wholly or in co-ownership and handled by one handler.

#### I. Team Class

For three or more exhibits (either sex or mixed) of one breed or variety belonging to the same exhibitor either wholly or in co-ownership.

#### J. Bred and Owned

For two or more exhibits which must have been bred by and currently owned by the exhibitor.

#### K. Parent and Progeny

Not less than two, excluding sire or dam to enter this class. The sire or dam if over the age of seven years need not have been entered in any breed class.

#### L. Lineage

To include a minimum of five and not more than eight exhibits, one to be a grandparent, at least two to be the direct offspring of that exhibit and the remainder to be the issue of one or more of the aforementioned offspring. Any exhibit, if over the age of seven years need not have been entered in any breed class.

#### M. Breeders Stakes

Open to Breeders of any one breed, three to a maximum of five dogs or bitches not necessarily owned by the breeder but must carry the one kennel name. Any exhibit, if over the age of seven years need not have been entered in any breed class.

#### N. Group Stakes

Group Stakes may be held at Group or All Breed Shows. A Group Stake may be included in a show schedule only if an equivalent breed class is held.

#### O. All Breed Stakes

All Breed Stakes may be held at All Breed Shows. All Breed Stakes with the exception of Baby Puppy Sweepstakes may not be held at Championship Shows unless the club appoints at least two judges to officiate and an equivalent breed class is held.

#### P. Baby Puppy Sweepstakes

Clubs may hold a Baby Puppy Sweepstakes for puppies three to six months which can be judged concurrently with the remainder of the show or at any other time during the show that the committee may decide on.

#### Q. Champion Stakes

For dogs that are qualified to hold the title Champion.

The dog if over the age of seven years need not have been entered in any breed class.

#### R. Grand Champion Stakes

For dogs that are qualified to hold the title Grand Champion. The dog if over the age of seven years need not have been entered in any breed class.

#### S. Veteran Stakes

For dogs over the age of seven years. The dog need not have been entered in any breed class.

#### T. Neutered Dogs. For Neutered Dogs.

#### U. Spayed Bitches. For Spayed Bitches.

### 7.3 Stake Classes Based on Physical Attributes.

Specialist Breed Clubs may hold Stake Classes based on sex, variety, height, weight and/or anatomical, coat and/or colour descriptions. Any such class must be judged on the description only as defined in the New Zealand Kennel Club Standard for that breed. A dog if over the age of seven years need not have been entered in any breed class.

### 7.4 Condition And Presentation Classes.

Other classes permitted to be held are:-

Coursing condition, hunting condition, personality, grooming, presentation, racing condition and show condition.

The manner of adjudicating classes in this section will be at the sole discretion of the judge.

### 7.5 Neutered Dogs and Spayed Bitches at Championship Shows.

A Neutered Dog or Spayed bitch can be exhibited.

- In any stake class for which they are eligible at any Championship Show.
- Breed classes at any Specialist Breed, Multibreed or Group club championship show.
- In specific Neuter/Spay Breed Classes where such a class is provided at any All Breeds Champion show  
This clause shall not permit the exhibition of Neutered Dogs or Spayed Bitches in any other Breed Class at any other Championship Show.

### 7.6 Scheduling.

All Stakes Classes must be listed in the published schedule. No alteration to the conditions set out in the schedule or implied under these Regulations will be permitted.

### 7.7 Other Permitted Classes.



A club may apply to the Executive Council to hold any further classes. Handler Classes. Handler Classes can be held at any show without prior scheduling.

**7.8** Parades Displays And Other Exhibitions.

Parades, Displays and other Exhibitions are permitted at shows provided no judging takes place at these events.

## **8. JUNIOR DOG HANDLER CLASS**

- 8.1** This class will be for young persons twelve years of age and under seventeen years of age on the day of the show. The conditions under which Junior Dog Handler Class will be held at Recognised Shows only are that the Judge will consider:-
- (i) The ability of the handler to control the exhibit.
  - (ii) The ability of the handler in 'setting up' the dog as an exhibit.
  - (iii) The ability of the handler to 'gait' the dog at a desirable pace for the Judge.
  - (iv) The dress and ring demeanour of the handler.
- 8.2** The quality of the dog will not be taken into account by the Judge.
- 8.3** Junior Dog Handler Class may be judged by a person or persons other than a Judge on the official list of Judges for the particular Recognised Show.
- 8.4** Child handler class for children aged seven and under twelve years may be organised by clubs under conditions laid down by the club.
- 8.5** There will be no levy payable to New Zealand Kennel Club for Handler Classes.
- 8.6** Any National Junior Dog Handler Competition shall be conducted under special regulations set by the Executive Council for the conduct of such competition.

## **9. SCHEDULE OF PRIZES**

- 9.1** Competition for Special Prizes:  
To compete for any Special Prize or Trophy at any Championship Show, except where specifically exempted every dog must be entered and shown in at least one breed class.
- 9.2** All dogs or bitches must be awarded Best of Class before being eligible for any special trophies at any show except those listed under Regulation 7, or those specifically exempted under these Regulations.
- 9.3** No Class Prize or Special Prize, may be offered for progeny sired by a specified dog, and no prize of free service of any dog is permitted.
- 9.4** Conditions attached to the competition of any trophy or special prize shall not subsequently be altered without the consent of the Executive Council of the New Zealand Kennel Club.
- 9.5** Prize money as offered must be paid in full by the club or society holding the particular fixture, unless the previous consent of the Executive Council has been obtained to a reduction thereof.
- 9.6** Total value of prizes, excluding sponsors products, on offer at any Championship Show shall be at least 20% of the gross entry less levies.
- 9.7** All prizes shall be paid in full or delivered within 14 days of the close of the show.
- 9.8** It shall be a condition implied in every Schedule that all members of the New Zealand Kennel Club shall be eligible to enter in every Breed, Group or "In Show" class for which the dog is qualified whether or not such a member is also a member of the Society holding the show.
- 9.9** It shall be a condition implied in every Schedule that no dog beaten at the show in a class or grade shall be eligible for any award or trophy or be credited with any points for that class

## **10. SHOW ENTRY**

### **10.1 Show entries**

#### **10.1.1 Mandatory Entry Conditions**

- All entries for Championship and Open Shows must be on or in one or a combination of the following forms: by online if the club is using this format for the taking of entries, or, on a standard basic official entry form, that maybe a photo copy, scan copy, download or print of an official NZKC issued entry form.
- All entries must be accompanied by the appropriate entry fee
- A club cannot accept any entry later than 14 days prior to the first day of the show
- Late entries not accepted must be returned to the exhibitor immediately.

#### **10.1.2 Optional Entry Conditions**

A club may at its discretion set a policy applicable to all exhibitors for

- the acceptance of late entries
- the acceptance of informal, incomplete and partly paid entries provided however a correctly completed and fully paid entry must be received on or before time of exhibition. If such entry is not received upon the terms set by the club then exhibition will not be permitted
- permitting the alteration of classes or substitution of one entry for another
- setting a premium fee payable for all or any category of entry accepted under these conditions. Advertising in the schedule for the show of any premium payable is optional

The exhibitor of any entry made under these conditions is liable for payment in full of all entry fees including any premium charged whether the exhibit is exhibited or not.

#### **10.1.3 Entry by New Members**

- Entries by new members can be accepted with the letter "MAF" (Membership Applied For) stated in lieu of a membership number Provided that the exhibitor must produce to the secretary a confirmed membership number on or before time of exhibition. If such number is not received then exhibition will not be permitted

#### **10.1.4 Refunds**

- The club shall refund in full any entry withdrawn before the closing date for entries stated in the schedule
- With the exception of a dog withdrawn pursuant to Show Regulation 19.15.1 No refunds shall be made on any entry withdrawn after that date

- 10.2** A dog, when entered for a show, must be solely and unconditionally the property of the exhibitor or exhibitors and except when specifically exempted, must be registered at the New Zealand Kennel Club in the exhibitors name or names, but it may be sold with its engagements and exhibited by the new owner or owners subject to the new owner or owners being a member or members of the New Zealand Kennel Club or having applied for membership of the New Zealand Kennel Club and the transfer being registered previous to the show. In this case the new owner or owners are deemed to have undertaken to abide by the rules and conditions on the original entry form of the show.

### **10.3 Separate Entry Forms**

**10.3.1** Separate entry forms for each exhibit must be completed in accordance with the provisions specified thereon and signed by at least one current owner. That owner's signature shall be deemed to bind all owners of the dog to the terms and conditions of entry and the Rules and Regulations of the New Zealand Kennel Club. The New Zealand Kennel Club membership number of each and every owner must always be stated.

#### **10.3.2 Double Shows**

**10.3.2.1** Where an exhibit is entered into the same class in both shows held by a recognised Club either on the same day or in consecutive days, Clubs may advertise in their schedule that one entry form shall suffice for both shows, provided the entry is completed as set out above, and appropriate fees paid.

**10.3.2.2** Separate entry forms shall be required when the exhibit is entered into a different class at each show OR if an exhibit moves from one class to another due to birth dates.

- 10.4** In Obedience and Agility where the handler is not the owner of the dog (or in the case of a jointly owned dog one of the owners) the handler's name and New Zealand Kennel Club membership number must be given. The handler can be changed on the day, provided the name and New Zealand Kennel Club registered number of the new handler are given to the Secretary prior to the dog entering the ring for competition. The handler's name and New Zealand Kennel Club number must be entered in the New Zealand Kennel Club copy of the marked catalogue.
- 10.5** No dog shall be eligible to complete in any class unless the date of birth is stated on the entry form. On the day of the show any entry entered in an incorrect class may be transferred to the Open Class
- 10.6** Subject to the provisions of any agreement between the New Zealand Kennel Club and a recognised overseas Society and the exceptions provided for Ribbon Parades in Show Regulations and in 10.6.1 below only the current owner(s) as recorded in the New Zealand Kennel Club Registers who are then members of the New Zealand Kennel Club may enter a dog for a Recognised Show.
- 10.6.1** Members of the New Zealand Kennel Club Specialist Breed and Multibreed Clubs, who are not New Zealand Kennel Club members, may enter a New Zealand Kennel Club registered dog in their clubs Recognised Show where offered by way of a casual entry, with it noted on the entry form as such. A casual entry levy is paid, as set by the New Zealand Kennel Club Executive Council, and is payable to the New Zealand Kennel Club at the time of payment of the show levies.
- 10.7** It is the responsibility of all owners of dogs registered with the New Zealand Kennel Club to comply with the law regarding registration of the dog with local authorities. Any club organising a show may accept as sufficient evidence of compliance, a declaration on the official Entry Form, signed by an owner (made at the time the entry is made) certifying that the dog named in the entry form is currently registered with a local authority as required by law. The declaration must be signed before the entry can be accepted by the club. *In the case of an online entry, the IP address will serve as the signature.*
- 10.8** A dog may be entered in one breed class only at Championship Shows conducted by All Breed and Group Clubs. Unless otherwise stated in the schedule a dog may be entered in more than one class at Championship Shows conducted by Multi-Breed and by Specialist Breed Clubs, or at Open Shows and Ribbon Parades conducted by any club.
- 10.9** Levy: Show Levies shall be collected by all Societies at time of receiving general entries; the total amount of levies received shall be forwarded to the New Zealand Kennel Club no later than one calendar month from the date the show is held and be accompanied by the New Zealand Kennel Club Show Levy Calculation Form. In the case of a Championship Show the total number of dogs scheduled to be judged by each judge in breed classes must be shown.
- 10.9.1** Any society which has not paid its show levies one month after the required date will have a 10% penalty applied.
- 10.10** Dogs entered or exhibited at unrecognised shows, with the exception of a dog exhibited at a Match Competition held in accordance with clause 28 hereof, may be disqualified from entry at any shows held under permission of the Executive Council.
- 10.11** The names and addresses of exhibitors defaulting on payment of entry fees may at the request of the club conducting the show be published in the New Zealand Kennel Gazette.
- 10.12** The entry forms for all neutered dogs and spayed bitches at any Open show or Championship Show shall be endorsed with the letter D (denoting d-sexed ) after the NZKC Registered number.
- 10.13** DELETED NAF/RAF

## 11. FCI/CACIB SHOWS

**This regulation is applicable only in respect of those shows in which a “Certificat d’Aptitude au Championnat International de Beaute de la FCI” (CACIB), award for the title “International Beauty Champion” can be awarded.**

For these events a fee is charged by the FCI for every dog appearing in the catalogue, the amount of which is to be determined by the General Assembly of the FCI. This fee is due, on receipt of the catalogues and the CACIB/Res CACIB lists of the show in question. This fee must be paid even if no CACIB awards are granted. (The fee is listed on the current Schedule of Fees on the Dogs NZ website). It is the responsibility of the Member Body or Affiliate thereof conducting the show to ensure that this fee is paid.

### 11.1 Basics

- 11.1.1 In accordance with the FCI Associate Member Agreement, NZKC will conduct a minimum of 2 (two) CACIB shows per year. Notwithstanding, NZKC will consider all applications received from any member body of NZKC or an affiliate thereof.
- 11.1.2 NZKC are solely responsible for determining in which dog shows in New Zealand the competitions for the CACIB can be held. These shows, which will also have been sanctioned by the FCI, must be indicated and designated as follows: “International Dog Show with attribution of the CACIB of the FCI”. The catalogue of these shows must be clearly marked with the FCI logo and the following expression: “Federation Cynologique Interationale (FCI)”.

### 11.2 Applications

Applications to have a CACIB International Dog Show sanctioned by NZKC, and subsequently by the FCI, must be sent in the first instance to Dogs NZ no later than 18 months prior to the intended show date for consideration. If approved by NZKC the application is then to be forwarded to the General Secretariat of the FCI no later than 12 months prior, and no earlier than four calendar years prior to the proposed date of the show.

### 11.3 Restrictions

- 11.3.1 Only one full CACIB can be awarded in each sex, in every recognised breed and breed variety – in accordance with the FCI Breed Nomenclature on the same day and at the same place.
- 11.3.2 No other CACIB show can be held the same days as a World or Section show takes place on that particular continent. Exceptional circumstances will be dealt with by the FCI General Committee.
- 11.3.3 The FCI will only authorize CACIB shows to be held on the same day provided that these events are held at a distance of at least 300km apart. In case this distance is less than 300km, the approval can be given provided that the organiser who first submitted an application gives their consent to the second applicant. In this case, appropriate dividing up of the FCI groups according to the FCI Breed Nomenclature, taking the show venues and days into consideration is recommended.
- 11.3.4 At CACIB shows a breed must be judged in one single day, and the breeds of the same FCI group should also be judged in one day. However, it is possible to divide the groups over two days if needed for organisational reasons. The decision regarding sanctioning CACIB shows is the responsibility of the Executive Director of the FCI.

### 11.4 Special Requirements / Admission of Dogs

- 11.4.1 The dogs’ welfare and health must be of UTMOST PRIORITY at all dog shows.
- 11.4.2 The organisers are requested to add the following message in the show catalogue, giving it sufficient visibility: The exhibitors are responsible for the welfare of the dogs at an FCI international dog show. It is forbidden to expose a dog to a situation that can be dangerous for its health and welfare, such as for example, leaving it in the car in excessively hot or cold weather and/or treating it in a cruel manner.

11.4.3 The organisers must ensure that the only breeds that will be shown are those for which breed standards have been definitively or provisionally accepted by the FCI and which are registered with the studbook or with the appendix to the studbook (waiting list) of an FCI member country. The same will apply to a non-FCI member country whose studbook is, however, recognised by the FCI. Breeds that are not yet recognised (neither definitely or provisionally) by the FCI, must be recognised at a national level and have pedigrees issued by a national kennel club that is a member or a contract partner of the FCI. These breeds cannot be incorporated in any group (they have to appear in a special section of the catalogue called “breeds not recognised by the FCI) and they are not eligible for the CACIB and for the various FCI titles. In addition, they cannot compete in the Best of Group finals. The normal FCI fee has to be paid also for each dog of these breeds. At all shows in which the CACIB’s of the FCI is awarded, the division into groups must be in accordance with the current FCI Breed Nomenclature. In case this ruling would not be observed, the FCI reserves the right to refuse future authorisations to award the CACIB’s at international shows.

11.4.4 These groups are as follows:

**Group 1:** Sheepdogs and Cattle Dogs (except Swiss Cattle Dogs)

**Group 2:** Pinschers and Schnauzers – Molossoid Breeds – Swiss Mountain and Cattle Dogs

**Group 3:** Terrier Group

**Group 4:** Dachshunds

**Group 5:** Spitz and Primitive Types

**Group 6:** Scenthounds and related breeds

**Group 7:** Pointing Dogs

**Group 8:** Retrievers – flushing dogs – water dogs

**Group 9:** Companion and toy dogs

**Group 10:** Sighthounds

**Group 11:** Breeds not recognised by FCI

11.4.5 **Group Judging**

At all shows with few entries, the organisers are allowed to have different groups judged together in the ring of honour for “Best in Group” competitions; however this does not apply to World and Section Shows.

In accordance with the above provision, at FCI/CACIB Shows conducted in New Zealand, the following groups may be utilised:

**Group 1:** Sheepdogs and Cattle Dogs (except Swiss Cattle Dogs)

**Group 2:** Pinschers and Schnauzers – Molossoid Breeds – Swiss Mountain and Cattle Dogs

**Group 3:** Terrier Group

**Group 4:** Dachshunds

**Group 5:** Spitz and Primitive Types

**Group 6:** Scenthounds and related breeds

**Group 7:** Pointing Dogs

**Group 8:** Retrievers – flushing dogs – water dogs

**Group 9:** Companion and toy dogs

**Group 10:** Sighthounds

**Group 11:** Breeds not recognised by FCI

**Note:**

1. In accordance with the terms of the Associate Membership between NZKC and FCI all NZKC CACIB shows are to be conducted under FCI regulations, including group nomenclature and breed standards for the duration of the event. This includes the awarding of National Challenge Certificates.
2. At NZKC CACIB shows, clubs hosting the event will have the option of utilizing the 10 FCI Groups or combining the 10 FCI Groups into the 7 Groups as nominated in Regulation

For NZKC CACIB Show **only** the following breeds/groups will apply.

<b>Group 1 – Sheepdogs and Cattle Dogs (except Swiss Cattle Dogs)</b>		
Australian Cattle Dog	Australian Kelpie	Australian Shepherd

Bearded Collie	Beauceron	Belgian Shepherd Dog. Groenendael
Belgian Shepherd Dog. Laekenois	Belgian Shepherd Dog. Malinois	Belgian Shepherd Dog. Tervueren
Bergamasco Shepherd	Border Collie	Bouvier des Flandres
Briard	Collie (Rough)	Collie (Smooth)
Czechoslovakian Wolfdog	Dutch Shepherd Dog	German Shepherd Dog
German Shepherd Dog (LSC)	Komondor	Kuvasv
Maremma Sheepdog	Old English Sheepdog	Polish Lowland Sheepdog
Puli	Pumi	Pyrenean Sheepdog (Long-Haired)
Schipperke	Shetland Sheepdog	Tatra Shepherd Dog
Tornjack	Welsh Corgi (Cardigan)	Welsh Corgi (Pembroke)
White Swiss Shepherd		

<b>Group 2 – Pinschers and Schnauzers – Molossoid Breeds – Swiss Mountain and Cattle Dogs</b>		
Affenpinscher	Bernese Mountain Dog	Boxer
British Bulldog	Bullmastiff	Central Asian Shepherd Dog
Caucasian Shepherd Dog	Dobermann	Dogue de Bordeaux
Estrela Mountain Dog	German Pinscher	Great Dane
Great Swiss Mountain Dog	Italian Corso	Kangal Dog
Landseer (Continental type)	Leonberger	Mastiff
Miniature Pinscher	Neapolitan Mastiff	Newfoundland
Pyrenean Mastiff	Pyrenean Mountain Dog	Rottweiler
Russian Black Terrier	Schnauzer	Schnauzer (Giant)
Schnauzer (Miniature)	Shar Pei	Spanish Mastiff
St Bernard	Tibetan Mastiff	Tornjak

<b>Group 3 – Terriers</b>		
Airedale Terrier	American Staffordshire Terrier	Australian Silky Terrier
Australian Terrier	Bedlington Terrier	Border Terrier
Bull Terrier	Bull Terrier (Miniature)	Cairn Terrier
Cesky Terrier	Dandie Dinmont Terrier	English Toy Terrier (Black and Tan)
Fox Terrier (Smooth)	Fox Terrier (Wire)	German Hunting Terrier
Glen of Imaal Terrier	Irish Terrier	Jack Russell Terrier
Kerry Blue Terrier	Lakeland Terrier	Manchester Terrier
Norfolk Terrier	Norwich Terrier	Parson Russell Terrier
Scottish Terrier	Sealyham Terrier	Skye Terrier
Soft Coated Wheaten Terrier	Staffordshire Bull Terrier	Welsh Terrier
West Highland White Terrier	Yorkshire Terrier	

<b>Group 4 – Dachshunds</b>		
Dachshund (Standard Long Haired)	Dachshund (Miniature Long Haired)	Dachshund (Standard Smooth Haired)
Dachshund (Miniature Smooth Haired)	Dachshund (Standard Wire Haired)	Dachshund (Miniature Wire Haired)
Dachshund (Kaninchen Long Haired)	Dachshund (Kaninchen Smooth Haired)	Dachshund (Kaninchen Wire Haired)

<b>Group 5 – Spitz and Primitive Types</b>		
Akita	Akita (Japanese)	Alaskan Malamute
Basenji	Canaan Dog	Canadian Eskimo Dog
Chow Chow	Cirneco Dell'Étna	Eurasier
Finnish Lapphund	Finnish Spitz	German Spitz (Klein)
German Spitz (Mittel)	Ibizan Hound	Icelandic Sheepdog
Japanese Spitz	Karelian Bear Dog	Keeshond
Norwegian Buhund	Norwegian Elkhound	Peruvian Hairless Dog (Large)
Peruvian Hairless Dog (Medium)	Peruvian Hairless Dog (Small)	Pharaoh Hound
Pomeranian	Portuguese Podengo (Small) (Smooth Haired)	Portuguese Podengo (Medium) (Smooth Haired)
Portuguese Podengo (Large) (Smooth Haired)	Portuguese Podengo (Small) (Wired Haired)	Portuguese Podengo (Medium) (Wired Haired)

Portuguese Podengo (Large) (Wired Haired)	Samoyed	Shiba Inu
Shikoku	Siberian Husky	Swedish Lapphund
Swedish Vallhund	Thai Ridgeback	Xoloitzcuintle (Intermediate)
Xoloitzcuintle (Miniature)	Xoloitzcuintle (Standard)	

<b>Group 6 – Scenthounds and Related Breeds</b>		
Basset Fauve de Bretagne	Basset Hound	Beagle
Black and Tan Coonhound	Bloodhound	Dalmatian
Foxhound	Grand Basset Griffon Vendeen	Hamiltonstovare
Harrier	Otterhound	Petit Basset Griffon Vendeen
Rhodesian Ridgeback		

<b>Group 7 – Pointing Dogs</b>		
Bracco Italiano	Brittany	Cesky Fousek
Deutch Langhaar	English Setter	German Shorthaired Pointer
German Wirehaired Pointer	Gordon Setter	Hungarian Vizsla
Hungarian Wirehaired Vizsla	Irish Red and White Setter	Irish Setter
Italian Spinone	Large Munsterlander	Pointer
Weimaraner (Short-haired)	Weimaraner (Long-Haired)	Wire-Haired Slovakian Pointer

<b>Group 8 – Retrievers – Flushing Dogs – Water Dogs</b>		
Chesapeake Bay Retriever	Clumber Spaniel	Cocker Spaniel
Cocker Spaniel (American)	Curly Coated Retriever	English Springer Spaniel
Field Spaniel	Flat Coated Retriever	Golden Retriever
Irish Water Spaniel	Labrador Retriever	Lagotto Romagnolo
Nova Scotia Duck Tolling Retriever	Portuguese Water Dog	Spanish Water Dog
Sussex Spaniel	Welsh Springer Spaniel	

<b>Group 9 – Companion and Toy Dogs</b>		
Bichon Frise	Bolognese	Boston Terrier
Cavalier King Charles Spaniel	Chihuahua, Long Coat	Chihuahua, Smooth Coat
Chinese Crested Dog	Coton de Tulear	French Bulldog
Griffon Bruxellois	Havanese	Japanese Chin
King Charles Spaniel	Lhasa Apso	Lowchen
Maltese	Papillon	Pekingese
Poodle (Standard)	Poodle (Miniature)	Poodle (Toy)
Pug	Russian Toy	Shih Tzu
Tibetan Spaniel	Tibetan Terrier	

<b>Group 10 – Sighthounds</b>		
Afghan Hound	Azawakh	Borzoi
Deerhound	Greyhound	Irish Wolfhound
Italian Greyhound	Saluki	Sloughi
Whippet		

<b>Group 11 – Breeds not recognised by FCI</b>		
Anatolian Shepherd Dog	Australasian Bosdog	Australian Stumpy Tail Cattle Dog
Biewer Terrier	Bluetick Coonhound	Miniature American Shepherd
Murray River Retriever	NZ Huntaway	Redbone Coonhound
Tenterfield Terrier	Yakutian Laika	

## 11.5 Classes for CACIB Shows

The decisive date for age is the day the dog is shown. Only the following classes are recognised at NZKC CACIB shows sanctioned by the FCI.

**Any exhibit under the age of 15 months is not eligible for a CACIB.**

Dog Classes state number only; Bitch Classes state the number followed by 'a'.

Class No. 20: 'Baby Puppy Dog' – No. 20A 'Baby Puppy Bitch' (For dogs or bitches aged three

- calendar months and under six months of age, on the first day of the show).
- Class No. 21: 'Puppy Dog' – No. 21A 'Puppy Bitch' (For dogs or bitches aged six calendar months and under nine months of age on the first day of the show).
- Class No. 22: 'Junior Dog' – 22A 'Junior Bitch' (For dogs or bitches aged nine and under eighteen months of age on the first day of the show.) Eligible for the Junior CACIB.
- Class No. 23: 'Intermediate Dog' –23A 'Intermediate Bitch' (For dogs and bitches aged fifteen and under twenty-four months on the first day of the show).
- Class No. 24: 'Open Dog' – 24A 'Open Bitch' (For dogs and bitches aged fifteen months and over on the first day of the show).
- Class No. 25: 'Working Class Dog' – 25A Working Class bitch aged 15 months and over. (The dog or bitch must have a FCI "Working Class Certificate".)
- Class No. 26: 'Champion Dog' – 26A 'Champion Bitch' Fifteen months and over (To enter a dog in the Champion Class, the title must have been confirmed by the issue of a Registered Pedigree Certificate with the title added by the day of the official closing of entries; **a Champion that has not attained fifteen months of age may not be awarded a full CACIB**).
- Class No. 27: 'Veteran Dog' – 27A 'Veteran Bitch' (from 8 years and over). Eligible for the Veteran CACIB.

## 11.6 Qualifications and Placings

The qualifications given must correspond to the following definitions:

**EXCELLENT** may only be awarded to a dog over 9 months of age which comes very close to the ideal standard of the breed, which is presented in excellent condition, displays a harmonious, well-balanced temperament, is of high class and has excellent posture. Its superior characteristics in respect of its breed permit that minor imperfections can be ignored; it must however have the typical features of its sex.

**VERY GOOD** may only awarded to a dog over 9 months of age that possesses the typical features of its breed, which has well-balanced proportions and is in correct condition. A few minor faults may be tolerated. This award can only be granted to a dog that shows class.

**GOOD** is to be awarded to a dog over 9 months of age that possesses the main features of its breed. The good points should outweigh the faults so that the dog can be considered a good representative of its breed.

**SUFFICIENT** should be awarded to a dog which corresponds adequately to its breed, without possessing the generally accepted characteristics or whose physical condition leaves a lot to be desired.

The four best dogs in each class are placed provided that they have been awarded at least the qualification "**VERY GOOD**".

PUPPIES UNDER 9 MONTHS OF AGE WILL BE GRADED:-

**VERY PROMISING** may only be awarded to a dog **UNDER** 9 months of age which comes very close to the ideal standard of the breed, which is presented in excellent condition, displays a harmonious, well-balanced temperament, is of high class and has excellent posture. Its superior characteristics in respect of its breed permit that minor imperfections can be ignored; it must however have the typical features of its sex.

**PROMISING** may only awarded to a dog **UNDER** 9 months of age that possesses the typical features of its breed, which has well-balanced proportions and is in correct condition. A few minor faults may be tolerated. This award can only be granted to a dog that shows class.

## 11.7 Titles, Awards and Main Ring Competitions

- 11.7.1(i) CACIB – Certificat d' Aptitude au Championnat International de Beaute de la FCI  
The only dogs which can be taken into consideration for the CACIB are the 1<sup>st</sup> Place Winners who have been awarded "EXCELLENT" in Intermediate, Working, Open and Champions class and are over 15 months of age.

The Reserve CACIB is awarded to the second-best dog which was given the



qualification "EXCELLENT" from the above-mentioned classes. The dog placed second in the class where the CACIB winner comes from can compete for the Reserve CACIB, if awarded excellent. It is not compulsory to award the Reserve CACIB.

11.7.1(ii) A Junior CACIB may be awarded to Best Junior dog and Best Junior bitch provided they have been graded excellent. No reserve CACB will be awarded.

11.7.1 (iii) A Veteran CACIB may be awarded to Best Veteran dog and Best Veteran bitch provided they have been graded excellent. No reserve CACIB will be awarded.

11.7.2 **Best of Breed (BOB)**

The CACIB winner from both sexes will compete for Best of Breed (BOB).

The Class in Breed Awards will be conducted as at NZKC Championship Shows. The BOB winner will automatically take the award for their respective class.

**Best in Group**

The Best of Breeds will compete for Best in Group. There will be four (4) Group Placings, announced in the order 4, 3, 2 & 1.

The Class In Group Awards will be conducted as at NZKC Championship Shows. The four (4) Group Placings will automatically take the award for their respective classes.

**Best In Show**

The Best in Groups will compete for best In Show. There will be four (4) In Show placings, announced in the order 4, 3, 2 & 1.

The Class In Show awards will be conducted as at NZKC Championship Shows. The four (4) In Show placings will automatically take the award for their respective classes.

11.8 In all other respects, Show Regulations 1 – 30 will apply.

## 12. FCI A20 Shows

12.1 Requirements to attain the ASIA, AFRICA & OCEANIA CHAMPION titles in New Zealand

**12.1.1. To obtain the title of Asia, Africa & Oceania Champion:**

A dog/bitch who is already a New Zealand Champion or Champion of an FCI member country, must win FOUR A2OCS CAC (Certificat d'Aptitude au Championnat) dog/bitch at any FCI A20 Championship Show (A2OCS) organized by the NZ Kennel Club (Dogs NZ) or approved clubs. The four qualifying CAC's may be awarded in the same island.

**12.1.2 To obtain the title of Asia, Africa & Oceania Grand Champion:**

A dog/bitch who is already a New Zealand Champion or Champion of an FCI member country, must win EIGHT A2OCS CAC dog/bitch at any FCI A20 Championship Shows organized by the NZ Kennel Club (Dogs NZ) or approved clubs. At least TWO of the Eight A2OCS CAC MUST be won in each Island, for the dog to qualify for this title.

**12.1.3. To obtain the title of Asia, Africa & Oceania Supreme Champion:**

A dog/bitch who is already a New Zealand Champion or Champion of an FCI member country, must win TWELVE A2OCS CAC dog/bitch at any FCI A20 Championship Shows organized by the NZ Kennel Club

(Dogs NZ) or approved clubs PLUS win a BIS1 (Best in Show 1) at an A2OCS. At least THREE of the Twelve A2OCS CAC MUST be won in each Island, for the dog to qualify for this title.

## **12.2 Awarding of A2OCS CAC (Certificat d'Aptitude au Championnat)**

The A2OCS CAC is to be awarded to the Best Dog & Best Bitch OR Dog CAC & Bitch CAC at a Championship Show organized according to the rules of the NZ Kennel Club (Dogs NZ). The show does not have to be a CACIB/International Show and the awarding of the A2OCS CAC will follow the rules of Dogs NZ with regards to the awarding of the Best Dog & Best Bitch OR Dog CAC & Bitch CAC. Reserve A2OCS CAC may be awarded.

12.3 Classes at an A2OCS show will be the same as outlined in Dogs NZ Show Regulation 6.

## **12.4 How to apply for A2OCS show**

- 12.4.1 All requests to organize A2OCS shows must be made to Dogs NZ who in turn will make application to the A2O Section. Dogs NZ will be responsible for ensuring that the A2O rules be adhered to at these shows and similarly responsible for the corresponding payments also.
- 12.4.2 An additional fee to be paid for each entry will be set by Dogs NZ to cover FCI Asia, Africa, Pacific Section expenses. The fees must be paid to Dogs NZ within 10 days of the show.
- 12.4.3 At A2OCS shows Dogs NZ Challenge Certificates can also be awarded along with the A2O CAC.
- 12.4.4 At Asia, Africa & Oceania Championship Shows, the A2OCS CAC Certificates must be used. A common design will be supplied by the FCI Asia, Africa & Oceania secretariat and will be available from Dogs NZ FCI A20 title.
- 12.4.5 Best in Show must be judged by a judge resident in the Asia, Africa & Oceania (A20) region.

## **13. JUDGING TIMETABLES**

- 13.1 All judges and all exhibitors at all Championship Shows shall be sent or emailed no later than 7 days before the first day of the show a judging timetable that states
  - The commencement time for judging in each ring in the show
  - A list of all breeds in the show setting out the rings in which each breed is to be judged and the order in which each breed is to be judged in each ring.
  - The numbers of exhibits entered in each breed in the show
  - A time before which judging will not commence for the judging of all stakes classes in the show.
- 13.2 The order in which breeds are judged may only be changed under exceptional circumstances arising beyond the control of the club conducting the show and at the discretion of the Show Manager.

## **14. JUDGING ORDER**

Judging at Championship Shows and Open Shows must take place strictly in the following order:-

- 14.1 The breed classes for dogs will be judged in the numerical order as presently laid down in Regulation 6 hereof, At the conclusion of Judging Class 11, Open Dog, the unbeaten winners of the breed classes for dogs will be presented to the Judge for the judging of Best Dog then the second placed dog in the class from which the winner came will be brought in to

compete with the remaining Class winners for Reserve Best Dog. After the Judge has selected his winners, but not before, he may (if appropriate) award a Challenge Certificate, and if the case merits it, a Reserve Challenge Award.

- 14.2 The breed classes for bitches will then be judged in exactly the same order as detailed above for dogs. After the Judge has selected his winners but not before, he may (if appropriate) award a Challenge Certificate, and if the case merits it, a Reserve Challenge Award.
- 14.3 After judging of Best Bitch and Reserve Best Bitch, the Judge will then judge Best of Breed, followed by Reserve Best of Breed, followed by the remainder of all scheduled classes in ascending numerical order excluding classes 9 and 9A which are not judged against each other.
- 14.4 The judging of Best of Group etc, will be judged at the conclusion of judging in the following order: - Best of Group and Reserve Best of Group, followed by the Best of Group for all scheduled classes in ascending numerical order.
- 14.5 Any Best of Variety Awards for Breeds in a particular Group will be judged after the conclusion of judging Best of Group etc., as detailed in sub-paragraph 13.4 above. The judging of Group Stakes will follow the judging of any Best of Variety Awards for breeds in the respective Group. Group Stakes will be judged as detailed above.
- 14.6 The judging of Best in Show etc. will take place at the conclusion of judging in the last Group in the Show and will be judged in the following order: - Best in Show and Reserve Best in Show, followed by the Best in Show for all scheduled classes in ascending numerical order.
- 14.7 Winners of Best or Reserve Best of Breed, Group and in Show level are automatically winners of their particular class (if applicable).
- 14.8 There will be no award of Best Opposite Sex at any Championship Show.
- 14.9 **Judging at the National Dog Show**  
The regulations for order of judging shall not apply to National Dog Shows run by the New Zealand Kennel Club but the order of judging shall be included in the schedule.
- 14.10 **Optional Ranking Procedure for Judging Group and In Show awards at All Breeds Shows Championship Shows**  
All Breeds Clubs may at their discretion adopt the following procedure for Group and In Show judging at Championship Shows.
  - 14.10.1 Best of Group placings only are awarded. From the Best of Breed winners a Best of Group and Second to Fourth in Group awards are made. The Reserve of Breed does not enter the ring for Group judging.
  - 14.10.2 Best in Show is awarded from the Best of Group exhibits. Second to Fourth in Show awards can at the option of the Club be awarded. The second place in Group does not enter the ring for In Show judging.
  - 14.10.3 The Club may at its discretion award Puppy in Group and Puppy in Show awards. These are judged after the Group and In Show judging.
  - 14.10.4 No other Group or In Show awards are made.
  - 14.10.5 Clubs using this procedure must state in their schedule "Group and In Show judging will follow the ranking procedure for judging – Puppy of Group and In Show will/will not be judged.

## 15. RING EQUIPMENT

- 15.1 Breed Standards. A copy of the New Zealand Kennel Club Official Standards of the Breeds for every breed being judged by each judge must be available in the ring for the judges reference at the time of judging.
- 15.2 Tables. In every ring of a Championship or Open Show where a judge is entitled to ask for an exhibit to be tabled the Show Committee shall provide a stable table, with a non-slip surface of a suitable size. Under no circumstances shall it be permissible for two rings to share a table whilst judging is proceeding in both rings.
- 15.3 Any Society conducting a Championship Show which includes the judging of Poodles shall have available at the ringside for the use of the judge an official bridge type measure as

approved and issued by the New Zealand Kennel Club and shall provide a level hard surface for the measuring of Poodles.

- 15.4** Ramps. At any show where a Ramp is available on the grounds, the ramp may be used at the sole discretion of the judge for those breeds listed in Appendix 1 of these regulations. The ramp may be transferred between rings. The Ramp must be constructed in accordance with the materials and dimensions as set out in Appendix 2 of these regulations.

## **16. SHOW CATALOGUES**

- 16.1** For any Championship Show, Championship Obedience Test, Championship Agility Event, Open Show, Open Obedience Trial or Open Agility Event held under New Zealand Kennel Club Rules and Regulations, a neatly printed or typewritten catalogue of such fixture, containing the following details must be produced.

- 16.2** In the case of all Championship Shows catalogues shall include the following details:

- (i) Registered name of dog.
- (ii) Registered number of dog. Neutered Dogs and Spayed bitches shall be designated with the letter D (denoting de-sexed) after their number.
- (iii) Sex of dog.
- (iv) Date of birth of dog.
- (v) Sire and dam of dog.
- (vi) Name of Breeder(s).
- (vii) Name(s) and New Zealand Kennel Club Membership Number(s) of owner(s) of dog.

- 16.3** In the case of all Open Shows, Championship Obedience Tests, Open Obedience Trials and Agility Events catalogues shall include the following details:

- (i) Registered name of dog.
- (ii) Registered number of dog. In the case of Open Shows only Neutered Dogs and Spayed bitches shall be designated with the letter D (denoting de-sexed) after their number.
- (iii) Sex of dog.
- (iv) Date of birth of dog.
- (v) Name(s) and New Zealand Kennel Club Membership Number(s) of owner(s) of the dog.

- 16.4** At Championship Obedience Tests, Open Obedience Trials and Agility Events where the owner of the dog is not the handler, then the handler's name and New Zealand Kennel Club number shall also be shown.

- 16.5** Every catalogue shall include the name and address of the veterinary surgeon or practice appointed for that show.

- 16.6** There must be catalogues available at the show, on the day of the show, for sale to the public and exhibitors, unless it is clearly stated in the schedule that "Catalogues MUST be pre-ordered and will not be available for sale at the show."

- 16.7** Clubs must within 14 days of the date of the show forward to each of the judges officiating at the show marked catalogue detailing results and details of Challenges and awards made by that judge.

- 16.8** Clubs must within 14 days of the date of the show forward to the Director/Secretary of the New Zealand Kennel Club a complete neatly marked catalogue detailing results and details of Challenges and awards made at the show together with, in the case of All Breeds Clubs, a copy of a completed General Specials (Best in Show) Judges Award Record Card.

- 16.9** Any entry accepted on the basis of the member having applied for New Zealand Kennel Club membership shall have the letters "M.A.F" (meaning Membership Applied For) in lieu of a membership number entered in the catalogue. Any member entering a show on this basis must supply their membership number to the Show Secretary before they will be permitted to exhibit the dog at the show. The Show Secretary shall write the membership number in the New Zealand Kennel Club marked copy of the catalogue beside the exhibit details.

## **17. RECORDS TO BE RETAINED**

Clubs will retain entry forms and Judges Award Record Cards for Championship Shows and Open

Shows for a period of twelve months. The entry forms and Judges Award Record Cards may then be destroyed.

## **18. PREPARATION OF DOGS FOR EXHIBITION**

**18.1** A dog shall be disqualified from winning or receiving a prize at any show held under New Zealand Kennel Club Rules, if it be proved to the Committee of the Show or the Executive Council of the New Zealand Kennel Club as the case may be:

**18.1.1** That any dye, colouring, tinting, darkening, bleaching, or other matter has been used for the purpose of lacquering or improving the colour, marking or texture of the coat of a dog.

**18.1.2** That any cutting, piercing, breaking by force or any kind of operation or act which destroys the tissue of the ears, or colour, or alters the anatomical formation or colour of the dog, or in any part thereof has been practiced or anything done calculated in the opinion of the Executive Council of the New Zealand Kennel Club to deceive except in cases of necessary operation which must be certified by a qualified veterinary surgeon. Dew claws may be removed in appropriate breeds, and shortening the tails of dogs where called for in the Standard of the Breeds currently recognised by New Zealand Kennel Club, will not render them liable to disqualification.

**18.2** Any dog which is suspected of having been prepared for exhibition in contravention of the above regulations may be required to be produced before a Regional Disputes Committee of the New Zealand Kennel Club convened by the President for that purpose which shall have power under this regulation to detain dogs at the expense of the New Zealand Kennel Club for further examination.

## **19. DRESS OF EXHIBITORS**

**19.1** Any exhibitor whose dress is considered by the Show Manager to be inappropriate or unreasonable may be barred from the ring. No exhibitor will be permitted into the Show Ring with bare feet.

**19.2** Exhibitors must display only one number in the ring. The number must be fairly large and must be legible. Judges will be instructed to refuse to judge where two visible numbers are worn.

## **20. EXHIBITION OF DOGS**

**20.1** Weighing of Miniature Dachshunds

**20.1.1** At all Championship Shows Miniature Dachshunds will be weighed in the assembly area or immediately adjacent to the entry to the ring by the ring steward, the show manager or their representative immediately prior to entry in the ring for judging on a class by class basis. The official weighing the exhibits shall advise the judge of any over-weight exhibits. Weighing shall be conducted on a weighing machine with a weight tray on which a Miniature Dachshund is capable of standing naturally. The scales shall be of a mechanical or digital manufacture and shall be checked prior to weighing against a standard 5.00 kg weight. It is the responsibility of the club conducting the show to provide scales in accordance with this regulation.

**20.1.2** The scales shall be placed either on the ground on a stable hard flat surface (not grass) or on a stable table large enough to hold the scales in a stable position.

**20.1.3** The judge shall advise any exhibitors whose dog is over the weight of 5.00 kgs. The Judge may request that any such dog be re-weighed in their presence.

**20.2** Height of Toy and Miniature Poodles

**20.2.1** Before awarding a Challenge Certificate or Reserve Challenge award at a Championship Show to a Toy or Miniature Poodle, the judge may measure the exhibit

with the appropriate measure on an approved surface.

**20.2.2** Any Toy Poodle which is measured pursuant to 19.2.1 above and found to be not under 28cms in height at the shoulder or any Miniature Poodle which is measured pursuant to 19.2.1 hereof and found to be not under 38cms in height at the shoulder may not be awarded any Challenge award.

**20.2.3** The owner of the dog as well as the handler on the day of the Show may be present at the measuring which shall be conducted by and at the discretion of the judge whose decision shall be final.

### **20.3 Dogs Owned Or Shown By Judges**

**20.3.1** A dog may not be exhibited (deleted at a show if a judge in any ring at a show had)

- At a show if a judge in any ring at that show has owned or co-owned and/or bred or jointly bred the dog within a period of nine months prior to the date of the show.
- Under a judge who has shown the dog in the judging ring at a show, or received, or become entitled to receive any monetary or other reward for grooming, trimming or tending the dog (with the exception of veterinary treatment) within a period of three months prior to the date of the show.

**20.3.2** The provisions of this regulation do not apply:-

- to any dog training fixture or
- a Judge of Junior Showmanship or Child Handler Class.

### **20.4 Dogs Owned Or Shown By Show Manager, Judges Stewards and Assembly Stewards**

**20.4.1** A Show Manager or a Judges Steward shall not handle in any Show Ring any dog at any Championship Show at which they are officiating, provided always that this subparagraph shall not apply where an exhibitor acts in an emergency.

**20.4.2** An Assembly Steward shall not handle any dog at any Championship Show in the show ring for which he is stewarding.

**20.4.3** No dog owned or co-owned by a judge's steward or assembly steward at any championship show, or by their spouse or partner, may be exhibited at the at Championship Show in the judging ring where the judge's steward or assembly steward is stewarding.

### **20.5 Professional Handlers**

**20.5.1** Save with the express permission of the Executive Council (which will be given in the most exceptional circumstances only) no person shall pay, or otherwise remunerate any other person for handling any dog in the judging ring at a Championship Show or Championship Obedience Test or Championship Agility Event.

**20.5.2** Any dog exhibited in contravention of this regulation will be liable to disqualification and any handler shall be subject to the disciplinary provisions of the rules of the New Zealand Kennel Club.

### **20.6 Control of Exhibits**

#### **20.6.1 Disabled Exhibitors**

20.6.1.1 At all times in the assembly area and in the ring every exhibit must be under the firm control of a handler and the lead of the dog must remain in at least one of the hands of the handler or the exhibit maybe in a crate with the approval of the Steward, from the time of entry to the assembly ring until the time of departure from the assembly ring or judging ring after judging.

20.6.1.2 Where physical disability of the exhibitor precludes compliance with this regulation, the show manager shall allow alternative means of complying with the intent of the regulation. This discretion is to be granted on a case by case basis.

**20.6.2** Subject to 20.6.1 above, at any Championship Show, Open Show and Ribbon Parade,

at all times within the area controlled by the Show Manager, every exhibit or other dog must be:-

- (i) Under the firm control of the handler or owner on a lead by the handler or owner, or
- (ii) Secured by the collar to a fixed point and within the effective control of the handler or owner,

or

- (i) Within a closed crate, box, vehicle or other container controlled by the handler or owner.

#### **20.6.3 Agent of Suspended Person**

Any member or their agent acting on their behalf, permitting, aiding or abetting any persons suspended from taking part, or participating in any show or exhibition or handling or preparing for exhibition any dog should be liable to disciplinary action.

#### **20.7 Late Arrival For Judging.**

With the exception of a dog elevated pursuant to clause 19.15.1, no dog will be allowed to enter the ring for judging of the class the dog is entered in after the class has been assembled and passed by the Judges Steward to the Judge to commence judging.

#### **20.8 Double Handling**

The practice of attracting the attention of a dog from outside the ring is prohibited and judges should take any such conduct into account when making their awards in judging, except at a German Shepherd Dog or Rottweiler Specialist Breed Championship Show where the dog is standing for the individual critique and only with the approval of the club and Judge concerned.

#### **20.9 Distracting Attention of Exhibits**

Persons in or near the vicinity of the ring, are prohibited from deliberately distracting the attention of other exhibits in the ring.

#### **20.10 Dogs Suffering From Contagious Or Infectious Disease**

A dog must not be exhibited which has been knowingly exposed to the risk of any contagious or infectious disease during a period of six weeks prior to exhibition. If any dog shall be proved to be suffering at a fixture from any contagious or infectious disease, including contagious results of inoculation against distemper, the exhibitor and the dog shall be liable to be disqualified.

#### **20.11 Neutered Dogs and Spayed Bitches**

Neutered Dogs and Spayed Bitches may be exhibited breed classes at any Specialist Breed, Multibreed or Group club Championship Show where the acceptance of entry from spayed and neutered dogs has been published in the schedule for the show.

Neutered Dogs and Spayed Bitches are disqualified from being shown in Breed Classes other than specific Neuter/Spay classes at All Breeds Championship Shows.

A certificate of a veterinary inspector appointed by the show committee will be accepted as conclusive evidence in the event of a protest being lodged.

#### **20.12 Cropped Ears**

**20.12.1** No dogs with cropped ears may be shown at any Recognised Show in New Zealand.

**20.12.2** The importation of dogs with cropped ears into New Zealand for breeding purposes is permitted. These dogs and their progeny are eligible to be registered with New Zealand Kennel Club and the progeny may be shown at Recognised Shows.

#### **20.13 Exclusion of Dogs**

##### **20.13.1 Exclusion of Dogs**

The Show Manager shall have the power to exclude or remove from the showgrounds any dog which is not in a fit state for exhibition owing to disease, menacing disposition, or any other cause.

##### **20.13.2 Exclusion by Judge**

An officiating judge shall have the power to exclude or remove from the ring any dog which is not in a fit state for exhibition owing to disease, menacing disposition, or any

other cause. Any such exclusion is to be immediately reported to the Show Manager and be recorded on the Judges Award Record Card and initialed and by both the Judge and Ring Steward.

### **20.13.3** Interruption of Fixture

Where an exclusion of a dog is made under 19.13.1 or 19.13.2 and is at a level indicated under 19.13.4.4 (Level 4) the Show Manager may stop the fixture if necessary to ensure the safety and security of other dogs, judges and with the matter to be investigated immediately. The Show Manager shall call for the fixture to recommence when satisfied that the matter is in hand and any danger to persons and dogs has been removed

### **20.13.4** Procedure on Exclusion

Where an exclusion of a dog is made under 19.13.1 or 19.13.2 then:-

**20.13.4.1** The Show Manager shall immediately inform the owner and/or handler of the conditions set out in 19.13.4.4 and upon the conclusion of the fixture complete the Incident Report form and provide the same to the New Zealand Kennel Club. Any incident report involving an interruption of the fixture as set out in 19.13.3 must be provided to Executive Council upon receipt by the New Zealand Kennel Club. New Zealand Kennel Club may also notify the local council where the dog is registered of the incident. This incident report must be filed on the form provided. Each section must be completed and must include a full description of the incident along with a recommended determination of whether it is a code specific or general issue.

**20.13.4.1.1** In recommending whether the type of issue resulting in an exclusion is code specific, then it is necessary to establish whether the situation is ever likely to happen in any other code. This may not be obvious to the show manager on the day and the ultimate decision on this will lie with the Executive Council

**20.13.4.2** The Incident Report form will require the Show Manager to identify from the following five levels, the behavior of the dog that applied

1. Aggression towards another dog.- To include but not limited to lunging and threatening - but not to include posturing, rumbling or growling where no attempt at advance towards the other dog is made.
2. Aggression towards a person. To include but not limited to lunging, snapping and threatening without any physical contact not to include rumbling or growling. Growling at a judge in the course of examination is not acceptable
3. Attack of another dog. aggressive or fearful physical contact.
4. Attack of a person. aggressive or fearful physical contact
5. Excluded owing to disease or any other cause.

**20.13.4.3** Any dog so excluded shall not be eligible for exhibition at any recognized fixture for a period of seven days from and including the date of exclusion and until such time as permission is granted by the New Zealand Kennel Club.

**20.13.4.4** Upon notification of the club conducting the fixture the New Zealand Kennel Club will immediately make contact with and then write formally to the primary owner of the dog setting out the conditions of the exclusion.

**20.13.4.4.1** Level 1 & Level 2 - After seven days from the date of exclusion the dog may be exhibited at any recognized fixture subject to meeting the conditions as set out under 19.13.5.

**20.13.4.4.2** Level 3 - Automatic two month suspension from the date of the



exclusion after which time application may be made to exhibit the dog at a recognized fixture. The application to exhibit the dog after this time must be accompanied by a full description of any training undertaken and steps which will be taken to ensure that there is no recurrence. If permission is granted the dog may be exhibited at any recognized fixture subject to meeting conditions set out under 19.13.5

**20.13.4.4.3** Level 4 - Automatic two month suspension from the date of the exclusion after which time application may be made to exhibit the dog at a recognized fixture. The application to exhibit the dog after this time must be accompanied by a full description of any training undertaken and steps which will be taken to ensure that there is no recurrence. If permission is granted the dog may be exhibited at any recognized fixture subject to meeting conditions set out under 19.13.5

**20.13.4.4.4** Level 5 – Conditions under 20.10 to apply.

#### **20.13.5** New Zealand Kennel Club Official Observations

- 20.13.5.1** The behaviour of the dog both in and outside of the ring is to be observed by one or, preferably two, official New Zealand Kennel Club observers at the next six days of competition at which it is exhibited.
- 20.13.5.2** No unfavourable reports are to be received from the New Zealand Kennel Club official observers at the six days of competition at which the dog is observed.
- 20.13.5.3** The conditions of exhibition shall cease upon the expiration of the six favourable observation reports pursuant to this regulation.
- 20.13.5.4** If an unfavourable report is received the dog shall forthwith be declared ineligible for exhibition at any fixture held under New Zealand Kennel Club Rules and Regulations. The dog shall remain ineligible until the Executive Council meet and consider the unfavourable report.
- 20.13.5.5** All observations arising from an issue which is determined to be “code specific” must be undertaken at the same type of fixture, at which the dog was initially placed on report, in order for it to requalify to compete in that type of fixture. In this case, nothing shall prevent the dog being exhibited in other codes without observation.
- 20.13.5.6** All observations arising from an issue which is determined to be general in nature may be undertaken at any type of fixture. In this case, the dog shall not be exhibited in any code without observation.
- 20.13.5.7** All observations must be undertaken by the handler who was involved when the dog was initially placed on report if that person is to handle the dog again in the future.

#### **20.13.6** New Zealand Kennel Club Official Observers

New Zealand Kennel Club Official Observers shall be appointed by the New Zealand Kennel Club to observe the behaviour of any dog pursuant to these regulations. Responsibility for appointing and managing observers may be delegated to the code involved except that all copies of all correspondence shall be sent to the New Zealand Kennel Club office for their records.

The owner of the dog shall notify the Director/Secretary of any fixture they have entered

requiring observation at least 14 days prior to the exhibition of the dog (except in the case of a fixture held within 14 days of the date of initial exclusion, in which case notification shall be immediately upon exclusion).

Observers will be appointed prior to the fixture and the exhibitor notified that the observation has been arranged the observer shall report to the Director/Secretary immediately after the fixture with either a favourable or unfavourable report. If the report is unfavourable then the observers shall give full reasons for this and include full details of any incident including the names of any other person involved.

A procedure covering the requirements of an observer, is available from the NZKC office.

#### **20.13.7 Exclusion by Executive Council**

The Executive Council may declare a dog ineligible for exhibition at any fixture held under New Zealand Kennel Club Rules and Regulations due to disease, menacing disposition, or any other cause.

#### **20.13.8 Right of Review**

**20.13.8.1** The owner of the dog may, within 28 days of the date of the order for exclusion from exhibition pursuant to Regulation 19.13.1 or 19.13.2 or the date of being declared ineligible for exhibition pursuant to Regulation 19.13.5.4 or 19.13.7, apply for the order to be reviewed by the Executive Council.

Any such review shall be heard by the Executive Council at the first appropriate meeting of the Executive Council following the exclusion order.

**20.13.8.2** Before conducting any review the President can at his absolute discretion request that a New Zealand Kennel Club investigator investigate and report on the exclusion. The Executive Council when conducting any review must consider statements from the Show Manager or judge dismissing the dog, the owner of the dog dismissed, any other member involved, the owners of any other dog involved, and any report of any New Zealand Kennel Club investigator or New Zealand Kennel Club observer appointed. All parties must be given the opportunity to be heard and to present evidence.

#### **20.14 Docked Dogs**

**20.14.1** The registration of imported dogs with docked tails into New Zealand for breeding and showing purposes is permitted. These dogs and their progeny are eligible to be registered with the New Zealand Kennel Club and may be shown at Recognised Shows.

#### **20.15 Withdrawal from Competition**

##### **20.15.1 Withdraw Prior to Judging at Show –**

Any dog may be withdrawn from a show and, provided a request for a refund is made at the time of withdrawal, entry fees paid shall be refunded. Written application must be made to the Secretary of the Club prior to the commencement of judging of the breed concerned.

- If the judge announced in the schedule is changed
- If the dog is no longer eligible for competition due to suffering from or exposure to a contagious or infectious disease
- If the dog suffers injury or illness making it unable to attend and compete
- If in Dog Training Disciplines the entry being a bitch entered in the show comes into season

The club may require veterinary proof of any physical condition.

The club shall be entitled to deduct any New Zealand Kennel Club Show Levies paid from any refund made.

##### **20.15.2 Withdrawal from competition on day of the show.**

**20.15.2.1** A dog after competing in any class at any show may be withdrawn from competition only with the permission of the Show Manager who shall consider each case in accordance with the following conditions:-

- (i) If a replacement judge is called upon to adjudicate, or if after the commencement of judging the appointed judge is unable to continue.
- (ii) If the dog suffers some injury or illness which prevents it from being exhibited.
- (iii) If, through an emergency beyond the control of the exhibitor that could not be foreseen by the exhibitor at the time of their arrival at the show, the exhibitor is unable to continue competition or is required to leave the show prior to judging.

**20.15.2.2** The Show Manager may request any application to withdraw from competition to be submitted in writing.

**20.15.2.3** A Dog may be removed immediately after the Show Manager has granted his approval.

**20.15.2.4** The owner of a dog is not entitled to a refund of entry fees in respect of his application to withdraw his dog from competition.

**20.15.2.5** A dog withdrawn from one class except through ineligibility is automatically ineligible to compete in any further classes at the show.

**20.15.2.6** A dog which is withdrawn from competition without permission of the Show Manager will forfeit all prizes and awards won at the show.

**20.15.2.7** If the committee conducting the show is satisfied upon investigation that either:-

- (a) A dog is absent from competition through no fault of the exhibitor or
- (b) The withdrawal from competition without the permission of the Show Manager was justified then the club shall advise the Director/Secretary accordingly and no further action will be taken.

**20.15.2.8** If there is no explanation from the exhibitor for the withdrawal from competition without the permission of the Show Manager or, if the committee conducting the show is satisfied that the withdrawal from competition without the permission of the Show Manager was not justified then:

**20.15.2.9** The secretary will forward to the New Zealand Kennel Club the name of any member who breaches this regulation together with a copy of the relevant entry form and a copy of the Judges Award Record Card(s) for the classes concerned together with all relevant information.

**20.15.3** Withdrawal more than 14 days prior to the show

Any dog may be withdrawn from any show upon written application made to and received by the Secretary of the Club more than 14 days prior to the first day of the show Any entry fees paid shall be refunded as outlined in regulation 10.1.4 provided the applicant requests the refund at the time of withdrawal of the entry. The club shall be entitled to deduct any New Zealand Kennel Club Show levies paid from any refund made.

**20.15.4** Withdrawal from stakes classes.

A dog may be withdrawn from any Stake Class without the Show Manager's permission and without affecting its position in any other class.

**20.16** Disqualifications

**20.16.1** A dog which is not shown in all classes in which it is entered or eligible to compete by virtue of prior awards will be disqualified from winning any prize or award at the show. A dog will not be deemed absent from a class until the class has been assembled and is about to be passed over by the Judges Steward for the judge to commence judging. At this stage any disqualification can be made and the elevation of a lower placed dog will take effect.

**20.16.2** Any dog shown and judged in an incorrect class will be disqualified and will become

ineligible to compete in any further class at that show. In the case of a dog entered in a correct class but shown and judged in an incorrect class due to some act or omission by an official of the Society conducting the show or person or persons acting on behalf of that Society, then any placings of classes affected or any awards may be adjusted if practicable, by the Show Manager, provided however, that in no circumstances shall any class or award be rejudged.

**20.16.3** After a dog has been disqualified a lower placed dog will only be elevated in the following circumstances:-

**20.16.3.1** Where the disqualified dog also won the challenge in which case the Reserve Challenge winner, if any, will become eligible for the Challenge and to compete for Best of Breed if applicable.

**20.16.3.2** Where the disqualified dog was awarded Best of Breed in which case the Reserve of Breed winner, if any, will be elevated to Best of Breed and become eligible to compete for Best of Group if applicable.

**20.16.3.3** Where the disqualified dog was awarded Best of Group in which case the Reserve of Group winner, if any, will be elevated to Best of Group and become eligible to compete for Best in Show if applicable.

**20.16.3.4** Where the disqualified dog was awarded Best in Show in which case the Reserve Best in Show winner, if any, will be elevated to Best in Show.

#### **20.17** Monorchid Or Cryptorchid Dogs

**20.17.1** In the case where a Judge discovers a dog over the age of nine months is either a monorchid or cryptorchid whilst judging, the Judge should immediately inform the exhibitor and report the dog to the Judge's Steward who shall report the details to the Show Secretary.

The above provision shall not apply to dogs entered in Class 18 at an All Breeds Championship show or to neutered dogs entered in any class at any other show where neutered entries are permitted.

**20.17.2** The Show Secretary shall within seven days of the closing date of the show furnish to the Director/Secretary of New Zealand Kennel Club and the registered owner in writing full particulars of every dog rejected by a veterinary examiner under Show Regulation 23 or by a judge of the show upon the ground that it is a monorchid or cryptorchid.

**20.17.3** Upon receipt of the report pursuant to clause 19.16.2 hereof the Director/Secretary shall forthwith give notice to the owner of the dog that the register for that dog will be endorsed in the manner set out in Registration Regulation 9 (iv) (1) unless the registered owner shall within fourteen days of being given such notice object in writing to such endorsement. Any such objection shall be supported by declarations from two qualified veterinarians stating that the dog is entire. In such case the objection shall be placed before the Executive Council and the endorsement of the dog shall be suspended unless the Executive Council shall direct otherwise and the dog may be shown or bred from in the meantime as though no endorsement had taken place. The Executive Council shall have power to order such further examinations and/or make such further orders in respect of the dog as it shall think fit.

**20.17.4** The provisions of this sub-clause shall not apply to Ribbon Parades or Neutered Dogs exhibited at Open Shows or Neutered Dogs Exhibited at Championship Shows in classes for which they are eligible.

#### **20.18** Veterinary Examination

**20.18.1** At the request of the Show Committee or any duly appointed Show Manager, or on the written request made to the Show Manager by any exhibitor of a dog entered at the show or in accordance with the provisions of Regulation 23 and 24 hereof a veterinary examination of any dog entered at any show shall be carried out. The committee holding the show shall procure the attendance at the Show of one of the appointed Veterinary Surgeons (or if an appointed Veterinary Surgeon is not readily available any other

Registered Veterinary Surgeon) who shall forthwith make such examination of the dog concerned for any one of the following purposes:-

**20.18.1.2** To satisfy himself that the dog concerned complies in all respects with the provisions of these Regulations and in particular Regulations 17.1, 17.2, 19.10, 19.11, 19.12, 19.13.1, 19.13.2, and 19.14.2.1.(ii).

**20.18.1.2** To give to the Show Committee or the Show Manager as the case may be, his written opinion as to whether any dog is blind, deaf, castrated, spayed, prepared for exhibition in contravention of the Rules and Regulations of the New Zealand Kennel Club or suffering from any illness or disease which renders it unfit for competition.

**20.18.2** Any written request by an exhibitor for examination to be made shall be accompanied by a fee of \$56.25c (Inc GST)

#### **20.19 Attendance At Shows**

**20.19.1** The owner of any dog entered or present at any show shall be responsible for the actions of any handler of that dog whilst it is in attendance and under the control of that handler at the show.

**20.20** Endorsement of Neutered Dogs and Spayed Bitches 19.19 No neutered dog or spayed bitch shall be exhibited at any Open Show or Championship Show in any class for which it is eligible unless endorsement Neutered or Spayed has been placed on the registration records of the dog or bitch pursuant to Registration Regulations.

**20.21** In all Dogs NZ fixtures, at all times the exhibitor shall ensure that the safety and wellbeing of the dog is paramount. The Exhibitor shall take full responsibility for all dogs under their control.

**20.22** Harsh Handling - Any allegation of harsh handling shall require that a complaint be laid of a breach of New Zealand Kennel Club Discipline and Settlement of Disputes Regulations and shall be dealt with in accordance with those Regulations. This clause shall not necessarily apply to a judge who whilst judging exercises discretionary powers, in conjunction with the show manager and/or the disputes committee, to penalise or disqualify for harsh handling, any dog and handler.

**20.23** Any breach of Dogs NZ regulations (of any code) shall require that a complaint be laid of a breach of New Zealand Kennel Club Discipline and Settlement of Disputes Regulations and shall be dealt with in accordance with those Regulations.

## **21 JUDGES AWARD RECORD CARD**

At Championship and Open Shows conducted by All Breeds and Group Clubs, only the official New Zealand Kennel Club Judges Award Record Card may be used. However, the use of the official New Zealand Kennel Club Judges Award Record Card will be optional for Championship and Open Shows conducted by Multi- Breed and Specialist Breed Clubs.

## **22 JUDGES DECISION**

**22.1** A Judge's decision shall be deemed to be final at the termination of his judging the class, except in a case of fraud or misrepresentation.

**22.2** A Judge shall be empowered to withhold any award, prize, or special prize if, in his opinion, there is lack of sufficient merit, but he must initial the Stewards entry on the Judges Award Record Card that the award, prize or special prize has been withheld.

**22.3** Any alteration made by a Judge must be initialed by him, on the Judges Award Record Card.

**22.4** Subject to Show Regulation 21.5 hereunder no Judge shall give any commentary, spoken or written on any dog exhibited under him at a Show during the course of that particular Show.

**22.5** Where a Judge is the sole Judge at a Recognised Show conducted by a Specialist Breed or Multi Breed Club a written or spoken commentary may be given by him on dogs exhibited under him in the course of the show provided:

**22.5.1** The request to give a commentary is made by the club when the invitation to judge the show is issued.

**22.5.2** The Judge is completely free to accept or decline such invitation so that giving a commentary shall not be a condition of appointment to judge.

- 22.5.3** Where a Judge has agreed to give a commentary such information be published in the Show Schedule

## **23 CHALLENGE POINTS (Championship Shows only)**

- 23.1** Challenge Certificates will be offered for competition for the best of each sex and for the best neutered/spayed of each sex at All Breeds Championship shows where a separate neuter class is offered for each breed or variety of breed for which a separate register is kept.
- 23.2** No exhibit under six months of age shall be awarded Challenge Certificates.
- 23.3** Judges shall withhold Challenge Certificates and/or Reserve Challenge Awards in all cases where dogs are not of sufficient merit.
- 23.4** Judges shall sign or place their signature (by personal stamp) on a Challenge Certificate provided by the Kennel Club to a dog that in their opinion is of sufficient merit to become a Champion.
- 23.5** The Show Secretary, or an officer authorised by the Show Committee, must sign the Challenge Certificate and ensure correct details of the entry winning the Challenge Certificate are entered in the appropriate spaces on the Certificate. Club Secretaries must retain uncollected Challenge Certificates for a period of twelve months after the show at which they were awarded, and upon receipt of a stamped, addressed envelope from the exhibitor, forward that exhibitor's Challenge Certificate to the exhibitor.
- 23.6** At a Championship Show a Reserve Challenge award may be made by the Judge to the runner-up to the Challenge Certificate winner if he is of the opinion that the runner-up is of sufficient merit to warrant such an award. In the event, in such a case, of the Challenge Certificate winner being disqualified, the Reserve Award winner will automatically receive the Challenge Certificate.
- 23.7** No dog or bitch refused a challenge for whatever reason, with the exception of a baby puppy that is ineligible for a challenge, shall be permitted to compete for Best or Reserve of Breed but may compete where applicable for Best of any Breed Class listed in Show Regulations 6.1.3 and/or any stake class.
- 23.8** A dog having won eight Challenge Points under at least five different Judges will be entitled, subject to the approval of the Executive Council, to the prefix 'Champion' and a Championship Certificate may be issued by the New Zealand Kennel Club provided however that it will be compulsory for the dog concerned to win at least one Challenge Certificate on/or after the age of twelve months before being granted the title of Champion.
- 23.9** After a dog has been awarded eight Challenge Points under at least five different Judges, application for Championship status may be made to the Director/Secretary of the New Zealand Kennel Club provided the original or **scanned electronic** copies of the Challenge Certificates supporting the application are emailed or forwarded with the application for Championship status.

### **23.10 Awards of Merit.**

A dog will be entitled to be awarded with the following Awards of merit.

20 Challenges	Bronze
40	Silver
50	Gold
60	Emerald
70	Sapphire
80	Ruby
90	Diamond
100	Platinum
150	Platinum Plus
200	Double Platinum

An Award Certificate does not confer the right of the use of a prefix or suffix for this certificate. Application is made by submitting the required number of original Challenge Certificates to the Director/Secretary of the New Zealand Kennel Club together with the appropriate fee.

- 23.11** Grand Champion - A dog having won 50 New Zealand Kennel Club Challenge Certificates plus three 'Best in Show' awards given under three different judges at 'All Breed Championship Shows' may upon application to the Director/Secretary of the New Zealand Kennel Club be entitled, subject to the approval of the Executive Council, to the prefix of Grand Champion (Gr. Ch.), provided however that at least 'one' Challenge Certificate was gained after 1 January 1988 and provided also that the original **or electronic copies** of Challenge Certificates supporting the application are forwarded to the Director/Secretary of the New Zealand Kennel Club.
- 23.12** Supreme Champion - A dog having won 75 New Zealand Kennel Club Challenges and 5 All Breed BIS given under five different judges at 'All Breed Championship Shows', may upon application to the Director/Secretary of the New Zealand Kennel Club be entitled, subject to the approval of the Executive Council, to the prefix of Supreme Champion (Spr. Ch.), provided however that at least 'one' Challenge Certificate was gained after 1 January 2014 and provided also that the original **or electronic copies** Challenge Certificates supporting the application are forwarded to the Director/Secretary of the New Zealand Kennel Club.
- 23.13** Specialist Grand Champion - A dog having won 50 New Zealand Kennel Club Challenge Certificates plus three 'Best in Show' awards given under three different judges at eligible 'Specialist Breed Championship Shows may upon application to the Director/Secretary of the New Zealand Kennel Club be entitled, subject to the approval of the Executive Council, to the prefix of Specialist Grand Champion (Spl.Gr. Ch.), provided however that at least 'one' Challenge Certificate was gained after 1 January 2014 and provided also that the original **or electronic copies** of Challenge Certificates supporting the application are forwarded to the Director/Secretary of the New Zealand Kennel Club
- 23.13.1** The minimum number of exhibits judged to be eligible for the Best In Show win to count towards the Specialty Grand Champion title is 20 dogs.
- 23.13.2** Only Specialty Shows for breeds which are described by one standard, including those which have variations for coat, size, and weight, are eligible.
- 23.14** At benched shows any prize or Certificates awarded by the Judge(s) at that show may be placed over all dogs winning same before the completion of the show.
- 23.15** A dog having won eight Neuter Challenge Points under at least five different Judges will be entitled, subject to the approval of the Executive Council, to the prefix 'Neuter Champion' and a Neuter Championship Certificate may be issued by the New Zealand Kennel Club provided however that it will be compulsory for the dog concerned to win at least one Challenge Certificate on/or after the age of twelve months before being granted the title of Neuter Champion.
- 23.16** After a dog has been awarded eight Neuter Challenge Points under at least five different Judges, application for Neuter Championship status may be made to the Director/Secretary of the New Zealand Kennel Club provided the original **or electronic copies** of Neuter Challenge Certificates supporting the application are forwarded with the application for Neuter Championship status.
- 23.17** Neuter Awards of Merit. A dog will be entitled to be awarded with the following Awards of merit.  
20 Neuter Challenges Bronze 40 Silver 50 Gold 60 Emerald 70 Sapphire 80 Ruby 90 Diamond  
100 Platinum 150 Platinum Plus 200 Double Platinum.

An Award Certificate does not confer the right of the use of a prefix or suffix for this certificate. Application is made by submitting the required number of original Neuter Challenge Certificates to the Director/Secretary of the New Zealand Kennel Club together with the appropriate fee.

- 23.18** Neuter Grand Champion – A dog having won 50 New Zealand Kennel Club Neuter Challenge Certificates plus three 'Best Neuter in Show' awards given under three different judges at 'All Breed Championship Shows' may upon application to the Director/Secretary of the New Zealand Kennel Club be entitled, subject to the approval of the Executive Council, to the prefix of Neuter Grand Champion (N.Gr.Ch.), provided that original or scanned copies of the Neuter Challenge Certificates supporting the application are forwarded to the Director/Secretary of the New Zealand Kennel Club.

## **24 VETERINARY SURGEON FOR SHOWS**

- 24.1** For every Recognised Show in New Zealand the Show Committee shall, at least seven days before the show, appoint at least one Registered Veterinary Surgeon who shall be available or on call

to officiate as required by these Regulations or by the Show Committee.

**24.2** Where an examination has been directed by the Show Committee or the Show Manager pursuant to Regulation 19.17 hereof then the following shall apply:-

**24.2.1** No dog in respect of which an examination has been directed shall leave the show before the examination takes place.

**24.2.2** The decision of the Veterinary Surgeon shall be final for the show concerned.

**24.2.3** Where in the opinion of the Veterinary Surgeon the dog is not fit to enter or remain in the show such dog shall be disqualified from further competition at the show, and shall be isolated or removed forthwith.

**24.2.4** Where a dog is disqualified upon the ground that it is suffering from an infectious or contagious disease, every other dog at the show owned by the same owner or exhibited by the same exhibitors or coming from the same kennels shall also be disqualified from further competition, and isolated or removed forthwith.

## **25 OBJECTIONS**

An objection to a dog may be made by any New Zealand Kennel Club member except by one who is under a term of suspension by the New Zealand Kennel Club.

**25.1** The objection must be in writing and delivered to the Secretary of the Show, or at his address as advertised in the schedule. If the objection is made by persons other than the Show Committee or the New Zealand Kennel Club, the sum of \$56.25c (Inc. GST) must be deposited at the same time, which shall be returned unless the objection is deemed to be frivolous, in which case it shall be forfeited. (This deposit is additional to any fee payable under Regulation 19.17.2 hereof).

**25.2** When an objection is made against more than one dog a separate deposit must be lodged in the case of each dog. In the case of an objection to a Brace, Team, or Litter, one deposit only to be lodged.

**25.3** The times at which an objection must be lodged are:-

**25.3.1** If on the ground of incorrect weight - before judging of the class is concluded. If on the ground of being improperly tampered with, or being blind, deaf, castrated, spayed, or suffering from any form of contagious disease or infectious disease - before the show or other fixture closes.

**25.3.2** If on the ground of being improperly prepared for exhibition - as soon as possible, but in any event before the close of the show or other fixture.

**25.3.3** If on any other ground - within seven days from the last day of the show or other fixture.

**25.4** In the event of an objection being lodged under paragraphs 24.3.1, 24.3.2, and 24.3.3 the exhibit against which the objection is lodged must be kept under the supervision of the Secretary of the fixture, or some other person duly authorised by the Committee of the fixture, under such conditions as will effectually prevent the owner or any other person altering its condition until such time as the Show Manager weighs the dog in the case of an objection lodged under 25.3.1 or Veterinary Surgeon appointed shall have completed his examination, in the case of an objection under 25.3.2 or 25.3.3.

**25.5** The Secretary of the fixture or some other duly qualified person shall notify the owner of the dog or his representative that such an objection has been made - and the nature thereof, and shall give him the opportunity of being present at the weighing or the Veterinary Surgeon's examination, which must be made in accordance with provisions of Regulation 19.17 and 23, and as soon as possible after the objection has been lodged. The person making the objection and/or the owner of the dog objected to, or his representative, shall be permitted to have the dog examined by a Veterinary Surgeon other than the appointed Veterinary Surgeon if they wish to adopt such a course, but such examination must be made at the fixture and in the presence of the Secretary of the fixture or some other person duly authorised by the Committee of the Society, or before the dog objected to has passed out of the control of the officials of the fixture, provided always that the Executive Council of the New Zealand Kennel Club may order a subsequent examination if they deem such action necessary. The report of Veterinary Surgeons thus employed shall be permitted to be produced as evidence at any subsequent hearing of the case by the Committee of the fixture. In the event of neither the owner of the dog objected to nor his representative being present at the



hearing, he shall be assumed to be content with the opinion of the Veterinary Surgeon. If it be decided to employ Veterinary Surgeons not actually present at the fixture, no charge may be made for their admission thereto.

- 25.6** An owner's 'representative' shall be considered to be any person who shall be in charge of the exhibit or who shall be handling it in the judging ring.
- 25.7** An objection shall be dealt with at a meeting with the Committee as soon as practicable but in no case later than twenty eight days after being lodged.
- 25.8** A copy of the objection shall be dispatched by the Secretary, within twenty-four hours of the objection being lodged, to the registered owner of the dog at his address given on the entry form, and reasonable notice of the meeting shall be sent to any persons concerned.
- 25.9** The decision of the Committee of the society shall be communicated to parties concerned within forty- eight hours.
- 25.10** No objection shall be invalidated solely on the ground that any notice has not been duly given, or that any meeting has not been duly held under this Regulation.
- 25.11** An appeal may be made to the Executive Council of the New Zealand Kennel Club if lodged within fourteen days of the decision.

## **26 REPORTING OF FRAUDULENT OR DISCREDITABLE CONDUCT**

The Committee of the fixture must immediately report any case of fraudulent or discreditable conduct which may come under its notice to the Director/Secretary of the New Zealand Kennel Club.

## **27 OPEN SHOWS**

- 27.1** The Executive Council may approve any clubs Affiliated or Associated under New Zealand Kennel Club Rule 7, 8 or 9, to hold Open Shows.
- 27.2** The classes which may be held at Open Shows are as defined and limited in Show Regulations 6 and 7.
- 27.3** Any All Breed or Group Club requiring additional classes at Open Shows must apply to the New Zealand Kennel Club for approval, and if approval is granted it will be on the basis of these additional classes being permitted as Stake Classes only.
- 27.4** Before any club can hold an Open Show the New Zealand Kennel Club must grant a licence to hold the show and a show date. Applications for licences and show dates for Open Shows must be made in accordance with Show Regulation 2.1, 2.2 and 2.3
- 27.5** A draft copy of the schedule for an Open Show must be forwarded to the Director/Secretary for approval of the format of the show in accordance with Show Regulation 2.2 and 5.1.
- 27.6** Except where is otherwise provided for in these Regulations awards at Open Shows shall not be reckoned in the qualification of a dog for classes at a Championship Show.
- 27.7** Open Shows shall be held and conducted in a similar manner to Championship Shows.
- 27.8** A catalogue with minimum contents as detailed in Show Regulation 15.3 and marked in accordance with Regulation 15.7 must be forwarded to the New Zealand Kennel Club within fourteen days of the date of the Show.
- 27.9** Neutered Dogs and Spayed Bitches may compete in all classes at Open Shows

## **28 RIBBON PARADES**

- 28.1** Any Society other than an Obedience, Agility or Field Trial Society affiliated, associated or

recognised under New Zealand Kennel Club Rule 7, 8, 9 and 10 may hold Ribbon Parades.

- 28.2** Awards at Ribbon Parades shall not be reckoned in the qualification of a dog for classes at an Open or Championship Show.
- 28.3** After any Ribbon Parade is held, the Society organising the Parade will provide the New Zealand Kennel Club with a copy of the schedule which has the date, venue and judges of the Ribbon Parade.
- 28.4** The classes and order of judging at Ribbon Parades will be in the general order as laid down in these Show Regulations.
- 28.5** A charge may be made for entry to Ribbon Parades.
- 28.6** The prizes must be ribbons rosettes or cards only.
- 28.7** A dog exhibited at a Ribbon Parade held under New Zealand Kennel Club Rules need not be registered with the New Zealand Kennel Club, but if registered, must be shown under its New Zealand Kennel Club registered name and ownership.
- 28.8** One judge only will be permitted to judge Best on Parade.
- 28.9** A Society organising a Parade may if it wishes post a schedule to exhibitors for the Parade giving general details of the classes to be held and closing date for entries and requiring that entries be forwarded on the official New Zealand Kennel Club entry form. It is not necessary to obtain approval for such schedules but a copy of the schedule shall be forwarded to the New Zealand Kennel Club for record purposes, provided however whether or not a Society posts a schedule to exhibitors for entries for Parades, all Societies must accept entries at the Parade on the day of the Parade up to a time laid down for closing of entries.
- 28.10** There will be no surcharge or late entry fee charged for entries on the day of the show when schedules are printed for Ribbon Parades detailing an entry fee. The entry fee will be the entry fee detailed in the schedule, regardless of whether the dog is entered prior to the date of the show or at the show.
- 28.11** At a Ribbon Parade a Champion or dog entitled to apply for the title of Champion (including overseas Champions and Neuter Champions) may only be exhibited in Stake Classes defined in 7.2 K, 7.2 L, 7.2 M, 7.2 Q, 7.2 R, 7.2 S or 7.3.
- 28.12** The owner of any dog exhibited at a Ribbon Parade is not required to be a member of the New Zealand Kennel Club.
- 28.13** Neutered, monorchid or cryptorchid dogs and spayed bitches may compete at Ribbon Parades.

## **28A SUPPORTED SHOWS**

- 28A.1** A supported show is when a breed or breeds are featured at a Championship Show with special classes, awards and trophies and can include judging by a separate judge in a separate ring.
- 28A.2** Any All Breeds, Group or Multi Breed club can run a supported show as part of a Championship Show being conducted by that club.
- 28A.3** A supported show is part of the Championship show being supported. Judging in the breed featured is part of, not in addition to, the judging at the show being supported.
- 28A.4** A supported show can be sponsored by any specialist breed club.
- 28A.5** The judge at a supported show must have a special connection with the breed being featured.
- 28A.6** Extra Stake classes can be scheduled exclusively for the breed or breeds being featured at a supported show.

**28A.7** It is optional for a separate schedule to be issued for the breed or breeds being featured at a supported show with separate condition from those laid down in the main schedule for the show. The main schedule, must refer to any special schedule if one is published.

**28A.8** A separate management team can manage the breed being featured at a supported show. The show is conducted by and in the name of the club running the supported show which is responsible for all obligations under New Zealand Kennel Club rules and Regulations.

## **28B SUPPORTED ENTRY**

**28B.1** A supported entry is when a breed or breeds are featured at a Championship Show and can include special awards and trophies as sponsored and can include judging by a separate judge in a separate ring.

**28B.2** Any All Breeds, Group or Multi Breed Club can run a supported entry as part of the Championship Show being conducted by that club.

**28B.3** A supported entry can be sponsored by any NZKC affiliated, associated, recognised club or any individual or group of individuals.

**28B.4** Trophies and special awards can only be provided for any class that the host show has scheduled.

**28B.5** It is optional for a separate schedule to be issued for the breed or breeds being featured. The host clubs schedule must refer to any special schedule if one is published.

**28B.6** A separate management team can manage the breed being featured. The supported entry is conducted by and in the name of the host club.

## **29 REGULATION FOR THE CONDUCT OF MATCH COMPETITION AND OTHER SPECIAL EVENTS**

**29.1** Subject to Clauses 28.5 and 28.7 hereof the approval of the New Zealand Kennel Club is not required for a Match Competition.

**29.2** Subject to Clause 1.10 hereof societies Affiliated, Associated or Recognised by the New Zealand Kennel Club may conduct Match Competitions. Societies not recognised by the New Zealand Kennel Club may compete in or organise Match Competitions.

**29.3** The Judge can be any person not being a disqualified person under the Rules and Regulations of the New Zealand Kennel Club.

**29.4** The conditions to govern any Match Competition are to be agreed to by the Societies and/or individuals competing before the Match Competition commences.

**29.5** Conditions governing events which require entry before the day of competition shall be subject to the prior approval of the Executive Council.

**29.6** Under no circumstances can a Match Competition be run in accordance with the judging order set out in Regulation 13, but must be conducted as an elimination contest.

**29.7** The Executive Council can approve the conduct of special events.

## **30 REGULATIONS FOR THE GUIDANCE OF WORKING GUNDOG CLUBS**

**30.1** The Executive Council of the New Zealand Kennel Club, at a meeting held on 26 May 1936, delegated power to the New Zealand Gundog Trial Association Executive, under approved Rules and Regulations for the conduct and control of Field and Water Trials for Working Gundogs.

**30.2** Copies of such Rules and Regulations for Field Trials may be obtained from the Secretary of the New Zealand Gundog Trial Association on payment of the necessary fee.

**30.3** The New Zealand Gundog Trial Association shall approve Special Rules for Championship Field Trials.

**30.4** Standard sets of points for various Field Trials approved by the New Zealand Gundog Trial

Association shall be incorporated in the Association's Rules.

- 30.5** Financial members of clubs affiliated to the New Zealand Gundog Trial Association only are eligible to compete for Challenge Certificates.
- 30.6** Only purebred dogs and bitches, registered with the New Zealand Kennel Club are eligible to win the title of Field Trial Champion, Grand Field Trial Champion, Field Champion and Grand Field Champion.
- 30.7** All dogs competing for Field Trial Challenge Certificates must be registered with the New Zealand Kennel Club prior to such Field Trials taking place.
- 30.8** The Judge or Judges may withhold any Certificate if the standard of work is in his or their opinion of insufficient merit.
- 30.9** The New Zealand Gundog Trial Association may issue a certificate bearing the title Field Champion to a dog or bitch having won two natural game challenge certificates under at least three judges. A certificate bearing the Title Grand Field Champion will be issued to a dog or bitch that wins eight natural game challenge certificates. Before a natural game challenge certificate can be issued a minimum of five dogs in separate ownership must compete in the Trial.
- 30.10** The New Zealand Gundog Trial Association may issue the following certificates:
- 30.10.1** Field Trial Champion  
A dog/bitch must win six challenge points under at least two separate Judges to entitle it to the title of Field Trial Champion (FTCh). One at least of these challenge points must be won away from its owner's home Club.
- 30.10.2** Grand Field Trial Champion  
A dog/bitch gaining 20 challenge points becomes a Grand Field Trial Champion (GFTCh) Challenge points won at Championship Field Trials and a maximum of two Championship Natural Game Field Trials are cumulative towards these titles.
- 30.10.3** Field Champion  
A dog/bitch must win two Natural Game Challenge Points under at least three different Judges to entitle it to the title of Field Champion (FCh). A minimum of five dogs in separate ownership must compete in a trial before a challenge certificate can be issued to the winning dog.
- 30.10.4** Grand Field Champion  
A dog/bitch winning eight natural game challenge certificates is entitled to the title of Grand Field Champion (GFCh)
- 30.11** The New Zealand Gundog Trial Association may issue a Challenge Certificate to a dog or bitch having won any Championship Trial certifying to such win and stating the number of Challenge points won.
- 30.12** The New Zealand Gundog Trial Association may issue a Qualifying Certificate to any dog or bitch who meets the criteria set out in the Association's Rules.
- 30.13** A Gundog Club conducting a gundog trial may issue a certificate of merit to placed dogs.
- 30.14** The following breeds of dog are deemed to be Gundogs for the purposes of competing in Field Trials, and, for the purposes of special breed trials are deemed to be classified in the groups hereunder indicated, viz:
- Group I:** Pointers and Setters: English Setters, Gordon Setters, Irish Setters, Irish Red and White Setters, Pointers, German Shorthaired Pointers, German Wirehaired Pointers, Weimaraners, Hungarian Vizslas, Brittanys, Large Munsterlanders.
- Group II:** Retrievers: Curly-Coated Retrievers, Flat-Coated Retrievers, Golden Retrievers, Labrador Retrievers, Chesapeake Bay Retrievers and Irish Water Spaniels
- Group III:** Spaniels: Clumber Spaniels, Cocker Spaniels, Sussex Spaniels, Welsh Springer Spaniels, English Springer Spaniels, American Cocker Spaniels
- 30.15** The New Zealand Gundog Trial Association shall forward copies of Remits and notify the Director/Secretary of New Zealand Kennel Club of the date of its Annual General Meeting, and the dates of its Championship Field Trials.

**30.16** All protests shall be dealt with in accordance with the Rules and Regulations of the New Zealand Gundog Trial Association.

**30.17** Final Court of Appeal - Subject to the Rules and Regulations of the New Zealand Gundog Trial Association, the final court of appeal shall be the New Zealand Kennel Club Executive Council, and on the hearing of any appeal the Association shall be represented.

**30.18** The New Zealand Gundog Trial Association is entitled to put forward Remits to the Annual Conference of Delegates to the New Zealand Kennel Club and to appoint four representatives to speak to and vote on all remits.

## **31 RACING WHIPPETS**

**31.1** Challenge Certificates shall be offered by the New Zealand Kennel Club for competition during the racing year 1 April - 31 March for the following Lure Drag Racing Classes over a distance of 230 meters.

**31.2** Classes.

Class A Weights - below 11 kg.

Class B Weights - between 11 kg and 13 kg.

Class C Weights - between 13 kg and 15 kg.

**31.3** Calculation of times.

**31.3.1** The fastest four racing times will be averaged to calculate the winning dog.

**31.3.2** The fastest three racing times will be averaged to calculate the winning bitch.

**31.4** Any dog/bitch winning two Challenge Certificates in consecutive years will be awarded the title Racing Champion and may carry the prefix - Racing Champion - before its name.

**31.5** Racing Conditions - Conditions for conducting races were registered with the New Zealand Kennel Club in April 1984 and may only be altered with the consent of Executive Council.

## **32 SIGHTHOUND COURSING**

**32.1** Purebred sighthounds, as recognized by the New Zealand Kennel Club, and selected breeds approved by the New Zealand Kennel Club are eligible for competition for the title of Coursing Champion.

**32.2** Hounds gaining 100 points, upon application to and approval by the New Zealand Kennel Club, are awarded the title of Coursing Champion (suffix CCh).

**32.2.1** Points are awarded for Best of Breed, Reserve Best of Breed, Best in Field and Reserve Best in Field.

**32.3** Coursing Conditions – Conditions for conducting Coursing Meets were registered with the New Zealand Kennel Club in September 2010 by the Sighthound Field Coursing Club, and may only be altered with the consent of Executive Council.

## **33 CATS**

The New Zealand Kennel Club may approve the inclusion of classes for cats upon application.

# Appendix 1

## RAMP BREEDS

(List of breeds permitted to be Judged on a Ramp)

### Terrier Breeds

Irish Terriers  
Kerry Blue Terriers  
Soft Coated Wheaten Terrier  
Staffordshire Bull Terrier

### Working Dogs

Norwegian Buhund  
Polish Lowland Sheepdog

### Gundog Breeds

Clumber Spaniel  
Field Spaniel  
Sussex Spaniel  
Welsh Springer Spaniel

### Non Sporting

Bulldog  
Chow Chow  
Keeshonden  
Shar Pei

### Hound Breeds

Basset  
Hound Whippet  
(Optional)

### NZKC Show Regulations.

14.4 Ramps. At any show where a Ramp is available on the grounds, the ramp may be used at the sole discretion of the judge for those breeds listed in this appendix. The ramp may be transferred between rings. The Ramp must be constructed in accordance with the materials and dimensions as set out in Appendix 2 of these regulations.

### Ramps can be used in an emergency situation to judge any breed.

Designated ramp breeds may be examined on the ground or on a ramp during breed judging according to the sole discretion of the judge and not the exhibitor. The entire entry in that breed is to be examined on the ground or on a ramp. However the ramp is not intended to be used during the group and/or Best in Show judging.

### Emergencies

In emergency situations, with the approval of the Show Manager, breeds customarily examined on the ground may be examined on a ramp, not on a table. An emergency is defined as a temporary condition that arose immediately prior to or at a dog show. Convalescence from a medical procedure, illness and recuperation from injuries are examples of conditions that are not emergencies. The emergency use of a ramp may be allowed on a day and may be extended to include a cluster as well as judging either a group and/or Best in Show.

## Appendix 2

### JUDGING RAMP SPECIFICATIONS

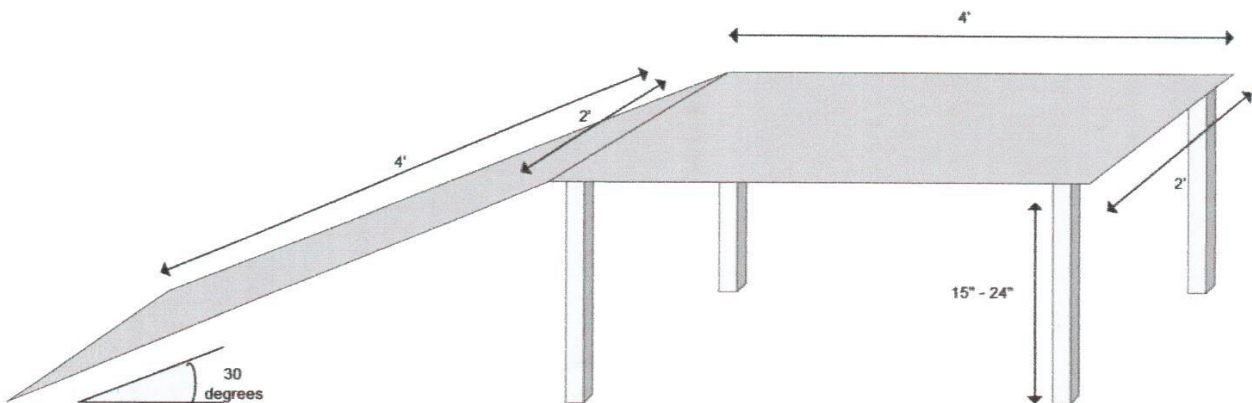
**Construction:** Any stable material may be used including the use of folding legs.

**Surface:** Rubber-matted

**Length:** 4 feet (122 cm)

**Width:** 2 feet (61 cm)

**Height:** 15 – 24 inches (38 – 61 cm)



# SHOW REGULATION INDEX

Additional judging appointments - distance and time .....	4.8
Agility - Catalogues .....	15
Agility Ribbon Trials - notification of .....	2.2.4
Agility - show dates .....	2.1.4
Agility Events and Ribbon Trials - Judges contracts .....	4.9
All Breeds Championship Show – definition .....	1.4
All Breeds Championship Show - limit on number of classes .....	6.1.4
Alteration of show date .....	2.1.3
Approval of show date & Licence to hold shows .....	2.1
Approval of format of show .....	2.2
Approved entry form .....	10.6
Arrival (late) - for judging .....	19.7
Assembly Stewards - dogs owned by .....	19.4
Attention of exhibits – distracting .....	19.9
Australian Judges - approval to judge .....	4.6.1
Australian exhibitors - entry from .....	10.15
Award – definition .....	1.20
Awards of Merit .....	22.10
Baby Puppies - registration number (R.A.F.) .....	10.2
Beaten dogs - ineligible for awards .....	9.9
Benched Show – definition .....	1.12
Best In Show - All Breeds Championship – Judge .....	4.3.1
Best In Show - Group or Multi-Breed – Judge .....	4.3.3
Best in Show - order of judging .....	13.6
Best Opposite Sex .....	13.9
Best of Breed - order of judging .....	13.3
Best of Group – Judge .....	4.3.3
Best of Group - order of judging .....	13.4
Best of Variety - order of judging .....	13.5
Breed Classes .....	6.1
Breed Classes – definition .....	6.1.3
Breed Classes - mandatory classes .....	6.1.4 & 6.1.5
Breed Classes - order of judging .....	13.1 & 13.2
Breed Standards - available for judge .....	14.1
Cancellation of show .....	3
Cash prize .....	9.5
Castrated dogs .....	19.11 & 27.13
Catalogues .....	15
Catalogues – availability .....	15.6
Catalogues - details to include .....	15.2, 15.3, 15.4 &
Catalogues - for sale .....	15.6
Catalogues - judges copy – marked .....	15.7
Catalogues - N.Z.K.C. copy – marked .....	15.8
Catalogues - Obedience and Agility .....	15.3 & 15.4
Cats .....	32
Challenge Certificates .....	22
Challenge Certificates - award by judge .....	13.2 & 22.4
Challenge Certificates - club officials signature on .....	22.5
Challenge Certificates - for Toy and Miniature Poodles .....	19.2.1 & 19.2.2
Challenge Certificates – uncollected .....	22.5
Challenge Certificates - withheld because under age .....	22.2
Challenge Certificates - withheld by judge .....	22.3 & 22.6
Challenge Certificates - withheld from Societies .....	2.1.1.4
Challenge Points .....	22
Champion (title) - application for .....	22.9
Champion (title) - qualifications for .....	22.8
Champions - at Ribbon Parades .....	27.11
Championship Certificates .....	22.8



Championship Shows – catalogue .....	15.1
Championship Shows - approval of format .....	2.2
Change of judge .....	4.10
Child Handler Class .....	8.4
Class – definition .....	1.19
Classes - Breed – definitions .....	6.1.3
Classes - Breed – mandatory .....	6.1.4 & 6.1.5
Classes - Breed - number permitted.....	6.1.4 & 6.1.5
Classes - Ribbon Parades .....	6.2
Classes – Stakes .....	7
Classes - Stakes – definitions .....	7.2
Classes Shows .....	2.6
Co-owned – definition.....	1.17
Commencing time – judging .....	5.1.1
Commentary - in ring .....	21.4 & 21.5
Committee - communicating hearing decision .....	24.9
Committee - hearing objection .....	24.7
Competition - in Stakes Classes .....	7.1.2
Competition - withdrawal from.....	19.14
Conflicting dates.....	2.4
Consolation in Show .....	13.8
Contagious disease.....	19.10
Contracts – Judging .....	4.9
Control of exhibits.....	19.6
Critique - in ring.....	21.4 & 21.5
Cropped ears .....	19.12
Cryptorchid dogs .....	19.16
Cryptorchid – definition.....	1.18
Dachshund - weighing of Miniature Dachshunds .....	19.1
Date of birth - on entry form .....	10.7
Dates – conflicting .....	2.4
Dates - shared - criteria and consents.....	2.3
Dates – shared.....	2.3
Default - in payment of entry fees.....	10.14
Definitions.....	1
Definitions - Breed Classes .....	6.1.3
Definitions - Stakes Classes.....	7.2
Dew claws .....	17.1.2
Discreditable or fraudulent conduct.....	25
Disease - contagious or infectious.....	19.10 & 19.13
Displays and other exhibitions.....	7.9
Disqualifications .....	19.15
Disqualifications - elevation of Reserves.....	19.15.3
Disqualifications - for improper preparation for exhibition .....	17
Distance and time - additional judging appointments.....	4.8
Distracting attention - of exhibits .....	19.9
Docked tails .....	19.14& 17.1.2
Dogs - control of.....	19.6
Dogs - exclusion of.....	19.3
Dogs - owned or shown by Judges .....	19.3
Dogs - owned or shown by Stewards.....	19.4
Dogs - savage disposition .....	19.13
Dogs - suffering contagious or infectious disease .....	19.10
Dog Welfare .....	19.21
Double handling .....	19.8
Draft schedules .....	5.1
Dress of exhibitors.....	18
Dress of exhibitors – inappropriate.....	18.1
Ears – cropped .....	19.12
Entire – definition.....	1.18
Entry .....	10
Entry - at Ribbon Parades .....	27.9

Entry - at unrecognised show .....	10.13
Entry - by Australian exhibitor .....	10.5
Entry – Casual.....	10.6.1
Entry - current owner(s) - member(s) of New Zealand Kennel Club.....	10.8
Entry - eligibility for.....	10.1 & 10.11
Entry - in incorrect class.....	10.7
Entry – late .....	10.3
Entry – partnership.....	10.4
Entry - refusal of.....	10.10
Entry fee - default of payment.....	10.14
Entry fee - refund of .....	19.14.2.2
Entry forms - date of birth.....	10.7
Entry forms - declaration of local authority compliance.....	10.9
Entry forms - handlers name and N.Z.K.C. membership number.....	10.5
Entry forms – retained.....	16
Entry forms - separate for each entry .....	10.4
Entry forms - single signature on behalf of owner(s) .....	10.4
Entry forms - use of approved forms.....	10.6
Examination – veterinary .....	19.17 & 23
Exclusion of dogs .....	19.13
Exhibit – definition .....	1.15
Exhibition of dogs.....	19
Exhibition of dogs - at unrecognised shows.....	10.13
Exhibition number – display .....	18.2
Exhibitor – definition.....	1.13
Exhibitors dress.....	18.1
Exhibitors footwear.....	18.1
Exhibitors numbers .....	18.2
Exhibits - control of.....	19.6
FCI/CACIB Shows .....	11
Fee – entry.....	10.2
Fees and expenses – judges .....	4.11
Field and Water Trials – definition .....	1.11
Field Trials.....	29
Fixture – definition.....	1.1
Footwear – exhibitors.....	18.1
Forfeit of prizes on unauthorised withdrawal from competition .....	19.14.2.6
Form of draft schedule .....	5.2
Format of show - approval of .....	2.2
Fraudulent or discreditable conduct.....	25
Grand Champion.....	22.10
Group Championship Show – definition .....	1.5
Group Championship Show - limit on number of classes .....	6.1.4
Group judging.....	6.1.6
Group Stakes - order of judging.....	13.5
Gundog Trials.....	29
Gundog Trials – Judges.....	4.1.3
Handler – definition .....	1.14
Handler - more than one in specified stakes classes .....	7.1.5
Handler classes .....	7.8 & 8
Handler classes - N.Z.K.C. levy.....	8.5
Handlers – professional .....	19.5
Height - of Toy and Miniature Poodles.....	19.2
Improper tampering.....	17.1.1
In Show judging .....	6.1.6
Incorrect class - entry in .....	10.7
Incorrect class - dog shown in .....	19.15.2
Infectious disease .....	19.10

Judges.....	4
Judges - additional appointments .....	4.8

Judges - approval of Australian Judges.....	4.6.1
Judges - approval of New Zealand Judges.....	4.3 & 4.5
Judges - approval of Overseas Judges.....	4.6
Judges Award Record Cards.....	20
Judges Award Record Cards – retained.....	16
Judges Award – withheld.....	21.2
Judges - Best in Show - All Breeds Championship Show.....	4.3.1
Judges - Best in Show - Group or Multi Breed Championship Show.....	4.3.4
Judges - Best of Group.....	4.3.3
Judges - change of judge.....	4.10
Judges commentary.....	21.4 & 21.5
Judges decision.....	21
Judges decision – alteration.....	21.3
Judges - dogs owned by.....	19.3
Judges - fees and expenses.....	4.11
Judges - Match Competitions.....	28
Judges - Open Shows.....	4.3.5
Judges Panels.....	4.1
Judges - Ribbon Parades.....	4.3.6
Judges Stewards - dogs owned by.....	19.4
Judges travel.....	4.12
Judging appointments.....	4
Judging contracts.....	4.9
Judging - late arrival for.....	19.7
Judging order.....	12.1, 12.2 & 13
Judging order - Breed Classes.....	13.1 & 13.2
Judging order - Bests of Breed.....	13.3
Judging order - Bests of Group.....	13.4
Judging order - Bests of Variety.....	13.5
Judging order - Bests in Show.....	13.6
Judging timetables.....	12
Junior Dog Handlers Class.....	8
Junior Dog Handlers Class - criteria for judging.....	8.1 & 8.2
Junior Dog Handlers Class – Judge.....	8.3
Junior Dog Handlers Class – levy.....	8.5
Junior Dog Handlers Class - National Competition.....	8.6
Late arrival - for judging.....	19.7
Late entries.....	10.3
Levy - on entries.....	8.5 & 10.12
Licence to hold show – application.....	2.1.1
List of breeds entered - for judge of show.....	11
Local authority registration compliance.....	10.9
Mandatory classes.....	6.1.4 & 6.1.5
Marked catalogues.....	5.7 & 15.8
Match Competition.....	28
Match competition – definition.....	1.10
Measure – Poodle.....	.3 & 19.2
Membership number - in catalogue.....	15.2 & 15.9
Membership number - on entry form.....	10.2
Miniature Dachshunds - weighing of.....	19.1
Miniature Poodles - measuring of.....	14.3 & 19.2
Missing date of birth - on entry form.....	10.7
Monorchid – definition.....	1.18
Monorchid dogs.....	19.16
Multi-Breed Championship Show – definition.....	1.6
National Show.....	2.6
National Show - Specialist Breed - application and criteria.....	2.5
New Zealand Gundog Trial Association.....	29.1
New Zealand Judges - approval to judge.....	4.3 & 4.5
Neutered dog & spayed classes.....	7.5, 19.11, 26.9 & 27.13

Not fit for exhibition – dogs .....	19.13
Number of classes permitted .....	6.1.4 & 6.1.5
Number of dogs entered - list for judges.....	11
Number of dogs entered - list for exhibitors.....	12
Number to be worn .....	18.2
Obedience and Agility - approval of format of show .....	2.2
Obedience – catalogues .....	15.3
Obedience - competitors need not enter Breed Classes.....	7.1.8
Obedience and Agility – Judges .....	4.1.2
Obedience Clubs - show dates.....	2.1
Obedience Ribbon Trials - notification of.....	2.2.4
Objections .....	24
Objections - appeal to Executive Council against Committee decision .....	24.11
Objections – fee.....	24.1 & 24.2
Objections - in writing.....	24.1
Objection - not invalidated.....	24.10
Objections - Show Secretary’s responsibilities .....	24.5
Objections – time .....	24.3 & 24.7
Open Show – definition .....	1.8
Open Shows.....	26
Open Shows - additional classes.....	26.3
Open Shows - application for.....	2.1.1.3
Open Shows - approval of format .....	2.2
Open Shows – awards.....	26.6
Open Shows – catalogues .....	15.3
Open Shows – classes .....	26.2
Open Shows – judges.....	4.3.5
Open Shows - manner of conducting.....	26.7
Order of judging.....	12.1, 12.2 & 13
Order of judging - changes to .....	12.2
Other permitted classes .....	7.7
Overseas Judges - approval to judge .....	4.6
Owned – definition .....	1.17
Owned by judge (dogs).....	19.3
Owned by stewards (dogs) .....	19.4
Owner of dog – entry .....	10.1 & 10.8
Parade – definition .....	1.9
Parade - non-competitive.....	7.9
Partnership entries.....	10.4
Permitted classes – other .....	7.7
Poodle heights .....	19.2
Poodle measures.....	14.3 & 19.2.1
Poodles - measuring of.....	19.2
Preparation of dogs for exhibition .....	17
Previous wins.....	6.1.2
Prize – definition .....	1.21
Prize Money - payment of .....	9.5
Prizes - beaten dogs ineligible for.....	9.9
Prizes - displayed at show .....	22.1
Prizes - minimum total value.....	9.6
Prizes - payment or delivery deadline.....	9.7
Prizes - Ribbon Parade limitations.....	27.6
Prizes - schedule of .....	9
Professional handlers .....	19.5
Publication of schedules .....	5.4
Racing Whippets.....	30
Recognised Show – definition .....	1.2
Records - time to be kept.....	16
Refund - of entry fee .....	19.14.1.2
Refusal of Challenge Certificate .....	22.2 & 22.7

Refusal of entry .....	10.10
Regulations for guidance of Gundog Clubs.....	29
Registration Applied For (R.A.F.) - Baby Puppies.....	10.3
Replacement judge.....	4.12.3, 19.14.1.1 & 19.14.2.1 (i)
Reserve - elevation of .....	19.15.3
Reserve Challenge Certificate.....	22.6
Ribbon Parades .....	27
Ribbon Parades - notification of.....	2.2.4 & 27.8
Ribbon Parades - Best on Parade judge .....	4.3.7 & 27.8
Ribbon Parades - Champions at .....	27.11
Ribbon Parades – classes .....	6.2
Ribbon Parades - entry on day .....	27.10 & 27.11
Ribbon Parades - exhibition of monorchids and cryptorchids .....	19.16.4
Ribbon Parades - exhibition of unregistered dogs.....	27.7
Ribbon Parades – judge .....	4.3.7 & 27.8
Ribbon Parades – prizes .....	27.6
Ribbon Parades – schedules.....	5.3 & 27.9
Ring equipment .....	14
Ring (or Judges) Stewards - Dogs owned by.....	19.4
Sales of catalogues .....	15.6
Savage disposition - of dog .....	19.13
Schedules.....	5
Schedules - approval of format .....	5.1
Schedules - breeds for which entries must be accepted.....	5.4
Schedules – contents.....	5.2
Schedules – draft .....	5.1
Schedules - publication of .....	5.5
Schedules - Ribbon Parade.....	5.3 & 27.9
Separate entry forms.....	10.4
Shared dates .....	2.3
Shared dates - criteria and consent .....	2.1.2.5
Show approvals.....	2
Show catalogues.....	15 (see also under Catalogues)
Show - cancellation of .....	3
Show dates – Agility.....	2.1.4
Show dates - alteration of .....	2.1.3
Show dates - application for - All Breeds Championship Shows.....	2.1.2.1
Show dates - application for - Associated Club Championship Shows .....	2.1.2.2
Show dates - application for Open Shows.....	2.1.2.3
Show dates - Championship Shows - priorities observed for allocation.....	2.1.2.3
Show dates - conflicting dates .....	2.4
Show dates - Obedience Clubs.....	2.1.4
Show dates - priorities observed.....	2.1.2.4
Show dates – sharing.....	2.1.2.5
Show entry .....	10
Show judges.....	4.1.1
Show levy .....	10.12
Sighthound Coursing.....	31
Sighthound Coursing Champion.....	31.1 & 31.2
Signature - on entry forms.....	10.4
Society – definition .....	1.16
Spayed and neutered dog classes .....	7.5, 19.11, 26.9 & 27.13
Special events.....	28
Special prizes.....	9.1
Specialist Breed Championship Show – definition .....	1.7
Specialist Breed judges.....	4.3.6
Specialist Breed National Shows - application and criteria .....	2.5
Stakes Classes - based on physical attributes .....	7.3
Stakes Classes - competition in .....	7.1.2
Stakes Classes - Condition and Presentation Class .....	7.4
Stakes Classes – definition .....	7
Stakes Classes - other permitted classes .....	7.7

Stakes Classes – scheduling .....	7.6
Stakes Classes - standard classes .....	7.2
Stakes Classes - withdrawal from .....	19.14.3
Standards - available for judge .....	14.1
Stewards - dogs owned by .....	19.4
Stewarding Sheets - see under Judges Award Record Cards	
Tables in ring .....	14.2
Tail docking .....	17.1
Tampering – improper .....	17.1.1 & 17.2.2
Time and distance - additional judging appointments .....	4.8
Time - commencement of judging .....	5.2.1
Timetables – judging .....	12
Toy Poodles - measuring of .....	14.3 & 19.2
Travel - by judge to show .....	4.12
Unrecognised Show – definition .....	1.3
Unrecognised Show - disqualifications of dogs entered or exhibited .....	10.13
Veterinary Surgeon - for shows .....	19.17 & 23
Veterinary Surgeon - for show - name in catalogue .....	15.5
Water Trials .....	29
Weighing machine .....	19.1.2
Weight of dogs .....	19.1
Weight - Miniature Dachshunds .....	19.1.3
Whippet racing .....	30
Wins – previous .....	6.1.2
Withdrawal from competition .....	19.14
Withdrawal from competition - before date of show .....	19.14.1
Withdrawal from competition - forfeit of prizes .....	19.14.2.6
Withdrawal from competition - ineligible to compete further .....	19.14.2.5
Withdrawal from competition - on day of show .....	19.14.2
Withdrawal from competition - without permission .....	19.14.2.6, 19.14.2.7 & 19.14.2
Withholding Challenge Certificate - by judge .....	22.3
Withholding prize or award - by judge .....	21.2